

**Klaipeda ?**

Competitors: 0

# Klaipeda VU8-20kg

## Competitors

Competitors: 6

| # | Name               | Grade | Club | 1  | 2  | 3  | 4  | 5  | 6  | Wins | Pts | Pos |
|---|--------------------|-------|------|----|----|----|----|----|----|------|-----|-----|
| 1 | Tauras GRIŠKELIS   | ?     |      |    |    |    |    |    |    | 0    | 0   | 6   |
| 2 | Karolis MICHMEL    | ?     |      | 10 |    | 10 | 10 |    | 10 | 4    | 40  | 2   |
| 3 | Tomas LIAUGAUDAS   | ?     |      | 10 |    |    | 10 | 10 |    | 3    | 30  | 4   |
| 4 | Dovydas RUDNICKAS  | ?     |      | 10 |    |    |    |    |    | 1    | 10  | 5   |
| 5 | Jonas VEČERKAUSKAS | ?     |      | 10 | 10 |    | 10 |    | 10 | 4    | 40  | 1   |
| 6 | Simonas MOTUŽIS    | ?     |      | 10 |    | 10 | 10 |    |    | 3    | 30  | 3   |

### Matches

| Match | White                  | Blue               | Result  | Time |
|-------|------------------------|--------------------|---------|------|
| 1     | Tauras GRIŠKELIS 1 2   | Karolis MICHMEL    | 00-10   | 0:18 |
| 2     | Tomas LIAUGAUDAS 3 5   | Jonas VEČERKAUSKAS | 10s1-01 | 1:14 |
| 3     | Karolis MICHMEL 2 4    | Dovydas RUDNICKAS  | 10-00   | 0:05 |
| 4     | Tauras GRIŠKELIS 1 6   | Simonas MOTUŽIS    | 00-10   | 0:05 |
| 5     | Dovydas RUDNICKAS 4 5  | Jonas VEČERKAUSKAS | 00-10   | 0:09 |
| 6     | Karolis MICHMEL 2 3    | Tomas LIAUGAUDAS   | 10-00   | 1:06 |
| 7     | Dovydas RUDNICKAS 4 6  | Simonas MOTUŽIS    | 00-10   | 0:13 |
| 8     | Karolis MICHMEL 2 5    | Jonas VEČERKAUSKAS | 00-10   | 0:29 |
| 9     | Tomas LIAUGAUDAS 3 4   | Dovydas RUDNICKAS  | 10-00   | 0:52 |
| 10    | Tauras GRIŠKELIS 1 5   | Jonas VEČERKAUSKAS | 00-10   | 0:05 |
| 11    | Tomas LIAUGAUDAS 3 6   | Simonas MOTUŽIS    | 00-10   | 6:41 |
| 12    | Tauras GRIŠKELIS 1 4   | Dovydas RUDNICKAS  | 00-10   | 0:24 |
| 13    | Jonas VEČERKAUSKAS 5 6 | Simonas MOTUŽIS    | 10-01   | 1:00 |
| 14    | Tauras GRIŠKELIS 1 3   | Tomas LIAUGAUDAS   | 00-10   | 0:15 |
| 15    | Karolis MICHMEL 2 6    | Simonas MOTUŽIS    | 10-00   | 6:16 |

### Results

| Pos | Name                |
|-----|---------------------|
| 1   | Jonas VEČERKAUSKAS, |
| 2   | Karolis MICHMEL,    |
| 3   | Simonas MOTUŽIS,    |
| 4   | Tomas LIAUGAUDAS,   |
| 5   | Dovydas RUDNICKAS,  |
| 6   | Tauras GRIŠKELIS,   |

# Klaipeda VU8-22kg

## Competitors

Competitors: 6

| # | Name               | Grade | Club | 1  | 2  | 3  | 4 | 5  | 6  | Wins | Pts | Pos |
|---|--------------------|-------|------|----|----|----|---|----|----|------|-----|-----|
| 1 | Tadas ČERNECKIS    | ?     |      |    | 10 |    |   |    | 10 | 2    | 20  | 4   |
| 2 | Sruogis BALČIŪNAS  | ?     |      |    |    |    |   |    |    | 0    | 0   | 6   |
| 3 | Sevelij VOITOV     | ?     |      | 10 | 10 |    |   |    | 10 | 3    | 30  | 3   |
| 4 | Rokas ŠATKAUSKAS   | ?     |      | 10 | 10 | 10 |   | 10 | 10 | 5    | 50  | 1   |
| 5 | Ugnius STAŠKŪNAS   | ?     |      | 10 | 10 | 10 |   |    | 10 | 4    | 40  | 2   |
| 6 | Jokūbas ŠERMUKŠNIS | ?     |      |    | 10 |    |   |    |    | 1    | 10  | 5   |

### Matches

| Match | White                 | Blue               | Result  | Time |
|-------|-----------------------|--------------------|---------|------|
| 1     | Tadas ČERNECKIS 1 2   | Sruogis BALČIŪNAS  | 10-00   | 1:30 |
| 2     | Sevelij VOITOV 3 5    | Ugnius STAŠKŪNAS   | 01-10s1 | 1:04 |
| 3     | Sruogis BALČIŪNAS 2 4 | Rokas ŠATKAUSKAS   | 00-10   | 0:07 |
| 4     | Tadas ČERNECKIS 1 6   | Jokūbas ŠERMUKŠNIS | 10-00   | 0:10 |
| 5     | Rokas ŠATKAUSKAS 4 5  | Ugnius STAŠKŪNAS   | 10-00   | 0:40 |
| 6     | Sruogis BALČIŪNAS 2 3 | Sevelij VOITOV     | 00-10   | 0:08 |
| 7     | Rokas ŠATKAUSKAS 4 6  | Jokūbas ŠERMUKŠNIS | 10-00   | 0:28 |
| 8     | Sruogis BALČIŪNAS 2 5 | Ugnius STAŠKŪNAS   | 00-10   | 0:06 |
| 9     | Sevelij VOITOV 3 4    | Rokas ŠATKAUSKAS   | 00-10   | 0:05 |
| 10    | Tadas ČERNECKIS 1 5   | Ugnius STAŠKŪNAS   | 00-10   | 0:21 |
| 11    | Sevelij VOITOV 3 6    | Jokūbas ŠERMUKŠNIS | 10-00   | 0:10 |
| 12    | Tadas ČERNECKIS 1 4   | Rokas ŠATKAUSKAS   | 00-10   | 0:22 |
| 13    | Ugnius STAŠKŪNAS 5 6  | Jokūbas ŠERMUKŠNIS | 10-00   | 0:24 |
| 14    | Tadas ČERNECKIS 1 3   | Sevelij VOITOV     | 00-11   | 0:18 |
| 15    | Sruogis BALČIŪNAS 2 6 | Jokūbas ŠERMUKŠNIS | 00-10   | 0:00 |

### Results

| Pos | Name                |
|-----|---------------------|
| 1   | Rokas ŠATKAUSKAS,   |
| 2   | Ugnius STAŠKŪNAS,   |
| 3   | Sevelij VOITOV,     |
| 4   | Tadas ČERNECKIS,    |
| 5   | Jokūbas ŠERMUKŠNIS, |
| 6   | Sruogis BALČIŪNAS,  |

# Klaipeda VU8-24kg Competitors

Competitors: 4

| # | Name               | Grade | Club | 1  | 2  | 3  | 4 | Wins | Pts | Pos |
|---|--------------------|-------|------|----|----|----|---|------|-----|-----|
| 1 | Haroldas NARMONTAS | ?     |      |    | 10 |    |   | 1    | 10  | 3   |
| 2 | Tajus JOCIUS       | ?     |      |    |    |    |   | 0    | 0   | 4   |
| 3 | Nojus MEKŠĖNAS     | ?     |      | 10 | 10 |    |   | 2    | 20  | 2   |
| 4 | Deimantas JAVIOKAS | ?     |      | 10 | 10 | 10 |   | 3    | 30  | 1   |

## Matches

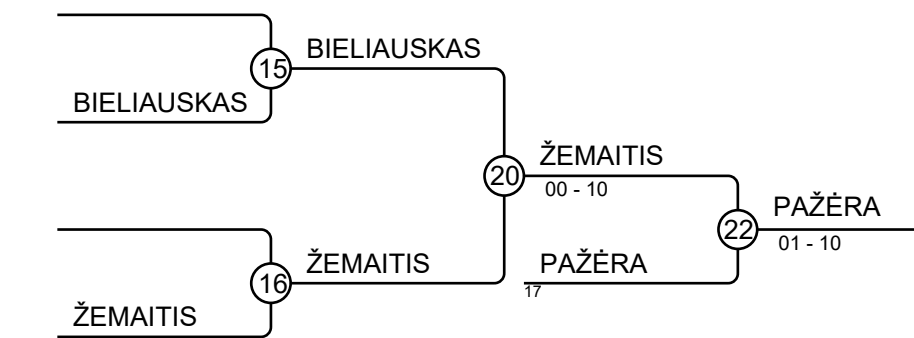
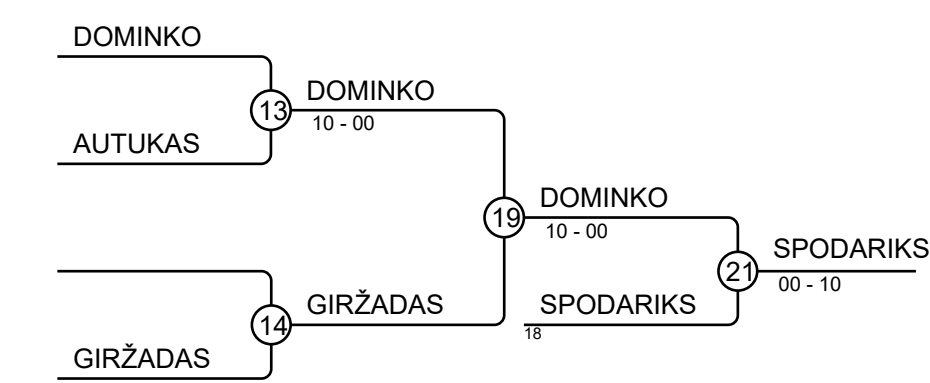
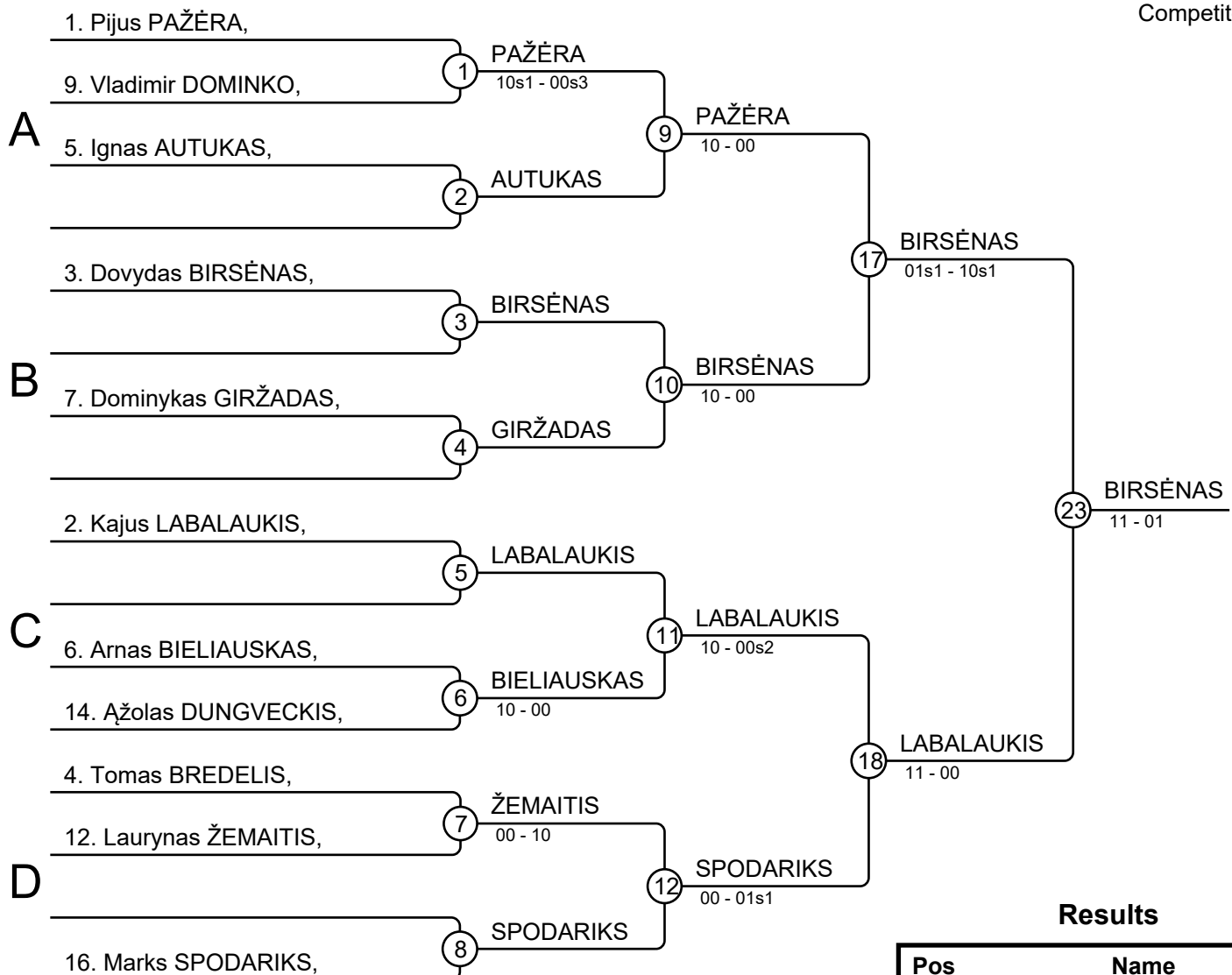
| Match | White              | Grade | Blue               | Grade | Result    | Time |
|-------|--------------------|-------|--------------------|-------|-----------|------|
| 1     | Haroldas NARMONTAS | 1     | Tajus JOCIUS       | 2     | 10-00     | 0:50 |
| 2     | Nojus MEKŠĖNAS     | 3     | Deimantas JAVIOKAS | 4     | 01s2-10s1 | 4:25 |
| 3     | Haroldas NARMONTAS | 1     | Nojus MEKŠĖNAS     | 3     | 00-10     | 2:29 |
| 4     | Tajus JOCIUS       | 2     | Deimantas JAVIOKAS | 4     | 00-10     | 1:52 |
| 5     | Haroldas NARMONTAS | 1     | Deimantas JAVIOKAS | 4     | 00-10     | 1:19 |
| 6     | Tajus JOCIUS       | 2     | Nojus MEKŠĖNAS     | 3     | 00-10     | 0:33 |

## Results

| Pos | Name                |
|-----|---------------------|
| 1   | Deimantas JAVIOKAS, |
| 2   | Nojus MEKŠĖNAS,     |
| 3   | Haroldas NARMONTAS, |
| 4   | Tajus JOCIUS,       |

# Klaipeda VU8-27kg

Competitors: 11



## Results

| Pos | Name                |
|-----|---------------------|
| 1   | Dovydas BIRSĖNAS,   |
| 2   | Kajus LABALAIKIS,   |
| 3   | Marks SPODARIKS,    |
| 3   | Pijus PAŽĖRA,       |
| 5   | Vladimir DOMINKO,   |
| 5   | Laurynas ŽEMAITIS,  |
| 7   | Dominykas GIRŽADAS, |
| 7   | Arnas BIELIAUSKAS,  |

# Klaipeda VU8-30kg

## Competitors

Competitors: 3

| # | Name             | Grade | Club | 1  | 2 | 3  | Wins | Pts | Pos |
|---|------------------|-------|------|----|---|----|------|-----|-----|
| 1 | Artiom ČUPALOV   | ?     |      |    |   | 10 | 1    | 10  | 2   |
| 2 | Jonas MIKĖNAS    | ?     |      | 10 |   | 10 | 2    | 20  | 1   |
| 3 | Kajus LELEVIČIUS | ?     |      |    |   |    | 0    | 0   | 3   |

### Matches

| Match | White          | Blue                 | Result | Time |
|-------|----------------|----------------------|--------|------|
| 1     | Artiom ČUPALOV | 1 2 Jonas MIKĖNAS    | 00-10  | 0:48 |
| 2     | Artiom ČUPALOV | 1 3 Kajus LELEVIČIUS | 10-00  | 0:56 |
| 3     | Jonas MIKĖNAS  | 2 3 Kajus LELEVIČIUS | 10-00  | 0:48 |

### Results

| Pos | Name              |
|-----|-------------------|
| 1   | Jonas MIKĖNAS,    |
| 2   | Artiom ČUPALOV,   |
| 3   | Kajus LELEVIČIUS, |

# Klaipeda VU8+30kg

## Competitors

Competitors: 4

| # | Name                | Grade | Club | 1 | 2  | 3  | 4 | Wins | Pts | Pos |
|---|---------------------|-------|------|---|----|----|---|------|-----|-----|
| 1 | Gustas KULIKAUSKAS  | ?     |      |   | 10 | 10 | 1 | 3    | 21  | 1   |
| 2 | Michail ROMANOVSKIJ | ?     |      |   |    |    |   | 0    | 0   | 4   |
| 3 | Rokas GEDMINAS      | ?     |      |   | 10 |    |   | 1    | 10  | 3   |
| 4 | Erik BERNIUKEVIC    | ?     |      |   | 10 | 1  |   | 2    | 11  | 2   |

### Matches

| Match | White               | Grade | Blue | Grade               | Result    | Time |
|-------|---------------------|-------|------|---------------------|-----------|------|
| 1     | Gustas KULIKAUSKAS  | 1     | 2    | Michail ROMANOVSKIJ | 10-00     | 0:00 |
| 2     | Rokas GEDMINAS      | 3     | 4    | Erik BERNIUKEVIC    | 00s1-01   | 3:04 |
| 3     | Gustas KULIKAUSKAS  | 1     | 3    | Rokas GEDMINAS      | 10s1-00   | 1:22 |
| 4     | Michail ROMANOVSKIJ | 2     | 4    | Erik BERNIUKEVIC    | 00-10     | 0:00 |
| 5     | Gustas KULIKAUSKAS  | 1     | 4    | Erik BERNIUKEVIC    | 01s1-00s1 | 7:54 |
| 6     | Michail ROMANOVSKIJ | 2     | 3    | Rokas GEDMINAS      | 00-10     | 0:00 |

### Results

| Pos | Name                 |
|-----|----------------------|
| 1   | Gustas KULIKAUSKAS,  |
| 2   | Erik BERNIUKEVIC,    |
| 3   | Rokas GEDMINAS,      |
| 4   | Michail ROMANOVSKIJ, |

# Klaipeda VU10-22

## Competitors

Competitors: 3

| # | Name             | Grade | Club | 1  | 2  | 3 | Wins | Pts | Pos |
|---|------------------|-------|------|----|----|---|------|-----|-----|
| 1 | Simas RIAUKA     | ?     |      |    |    |   | 0    | 0   | 3   |
| 2 | Rokas ŠATKAUSKAS | ?     |      | 10 |    |   | 1    | 10  | 2   |
| 3 | Matas OLŠAUSKAS  | ?     |      | 10 | 10 |   | 2    | 20  | 1   |

### Matches

| Match | White            |   |   | Blue             | Result | Time |
|-------|------------------|---|---|------------------|--------|------|
| 1     | Simas RIAUKA     | 1 | 2 | Rokas ŠATKAUSKAS | 00-11  | 0:18 |
| 2     | Simas RIAUKA     | 1 | 3 | Matas OLŠAUSKAS  | 00-10  | 0:15 |
| 3     | Rokas ŠATKAUSKAS | 2 | 3 | Matas OLŠAUSKAS  | 00-10  | 0:09 |

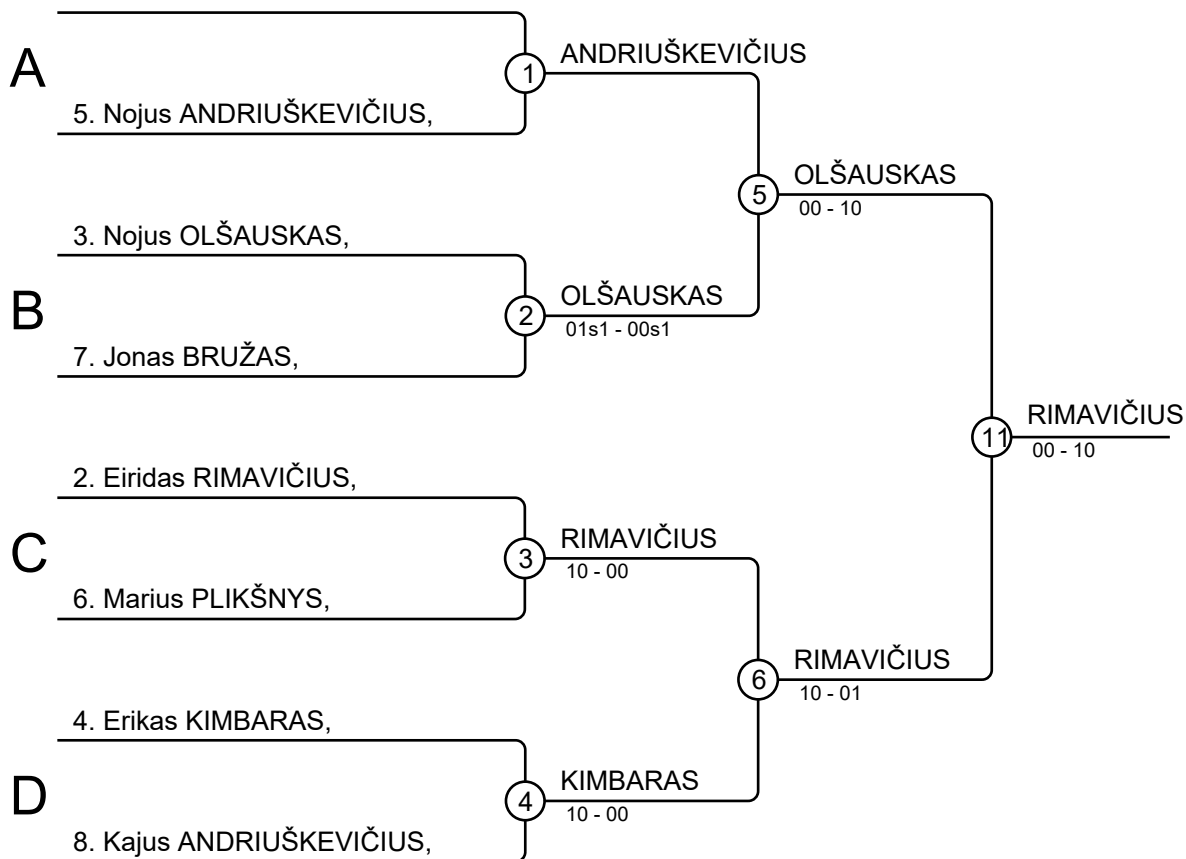
### Results

| Pos | Name              |
|-----|-------------------|
| 1   | Matas OLŠAUSKAS,  |
| 2   | Rokas ŠATKAUSKAS, |
| 3   | Simas RIAUKA,     |



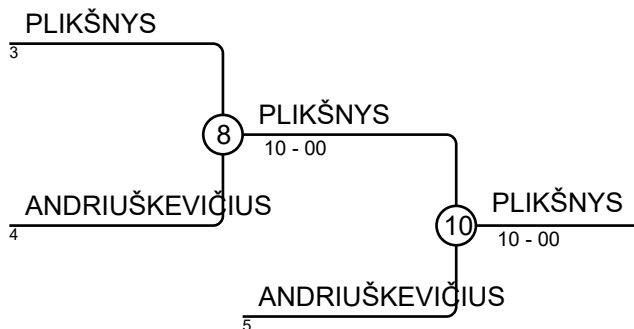
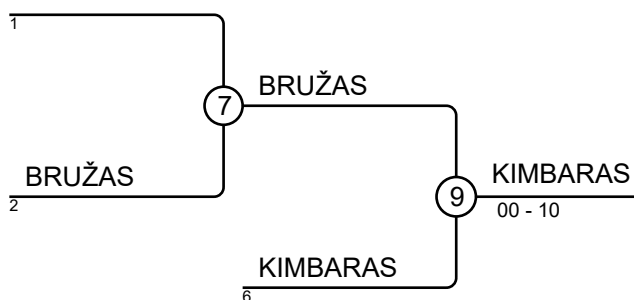
# Klaipeda VU10-24

Competitors: 7



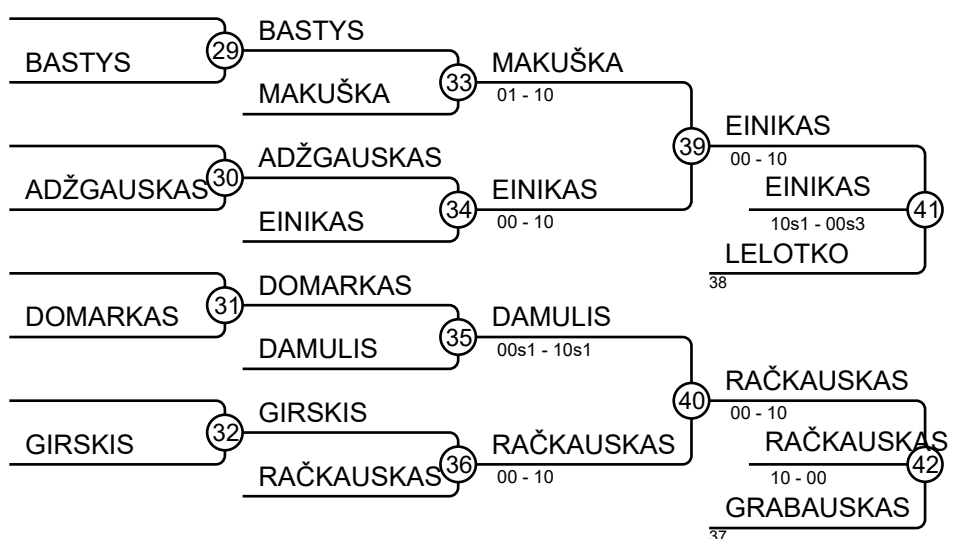
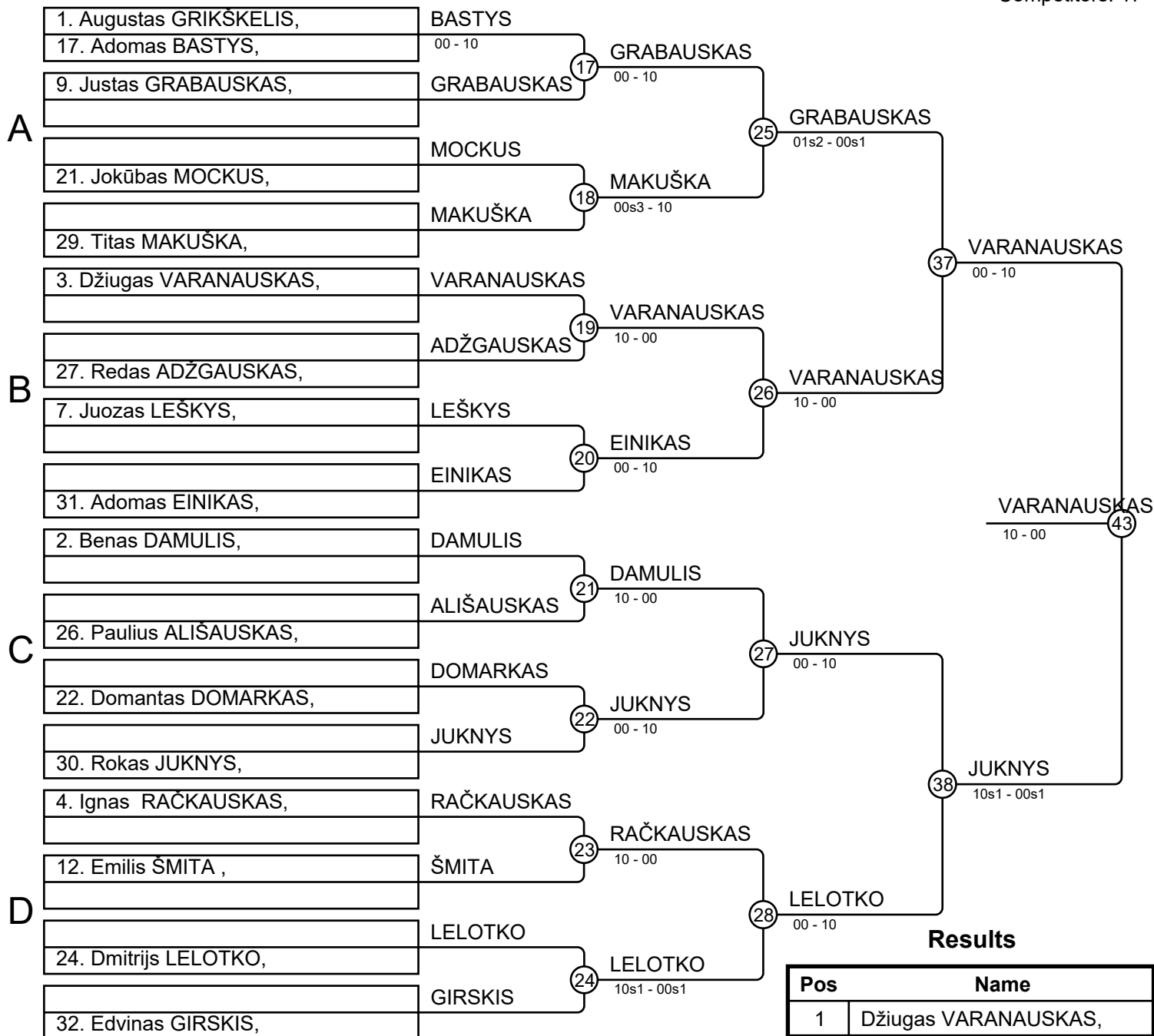
## Results

| Pos | Name                   |
|-----|------------------------|
| 1   | Eiridas RIMAVIČIUS,    |
| 2   | Nojus OLŠAUSKAS,       |
| 3   | Erikas KIMBARAS,       |
| 3   | Marius PLIKŠNYS,       |
| 5   | Jonas BRUŽAS,          |
| 5   | Nojus ANDRIUŠKEVIČIUS, |
| 7   |                        |
| 7   | Kajus ANDRIUŠKEVIČIUS, |



# Klaipeda VU10-27

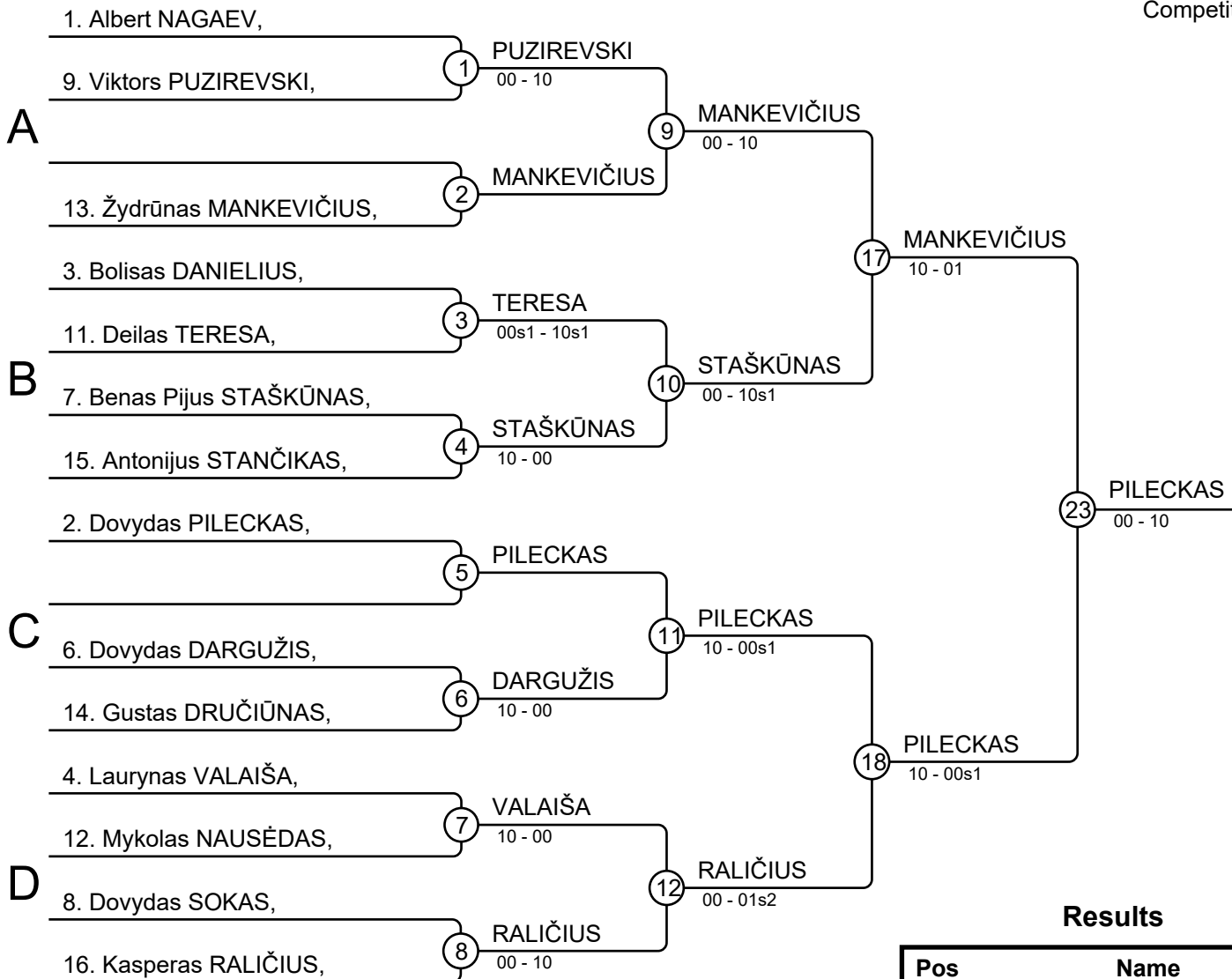
Competitors: 17



# Klaipeda

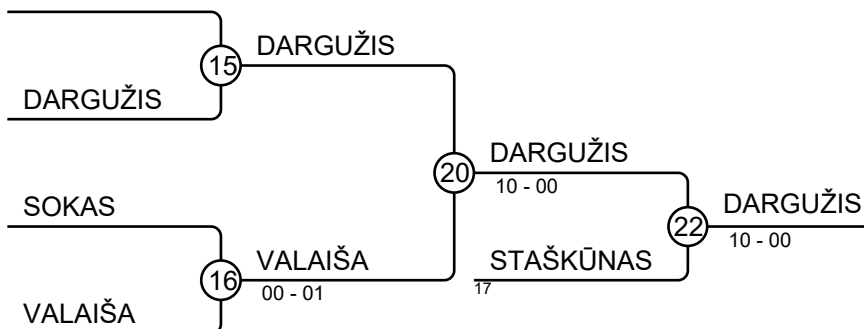
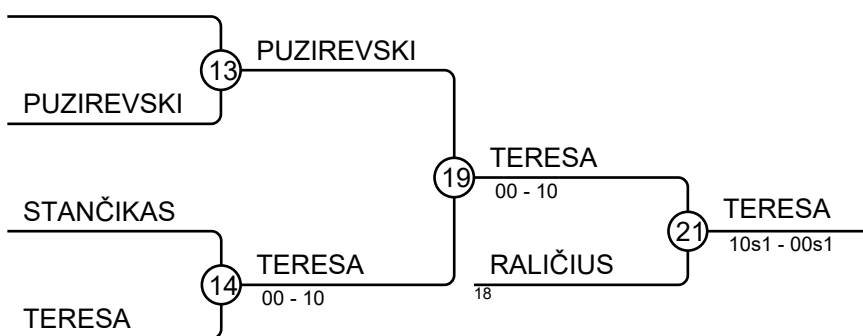
# VU10-30

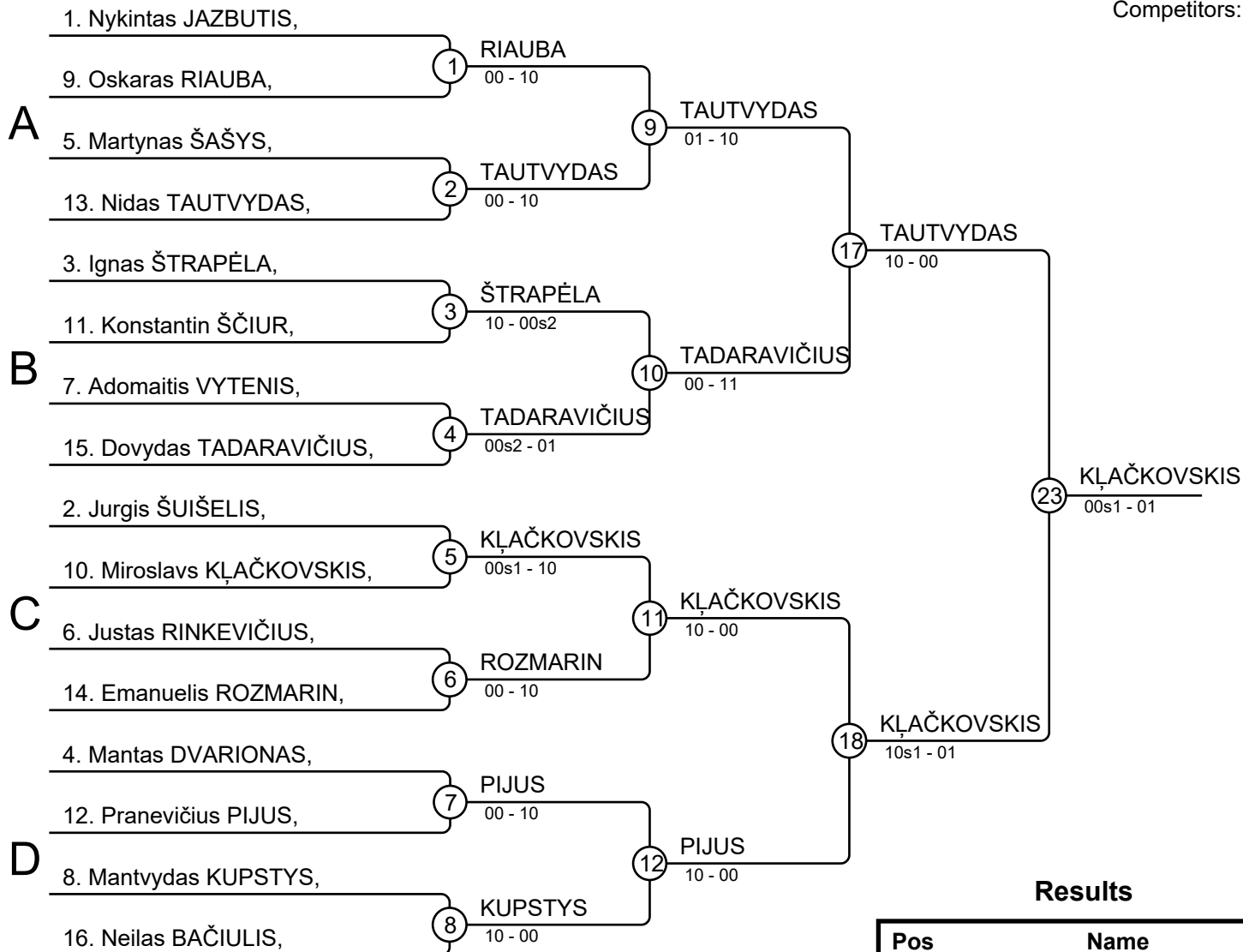
Competitors: 14



## Results

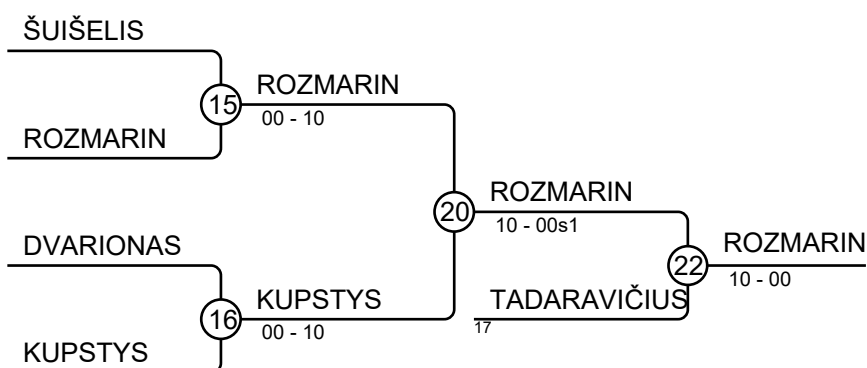
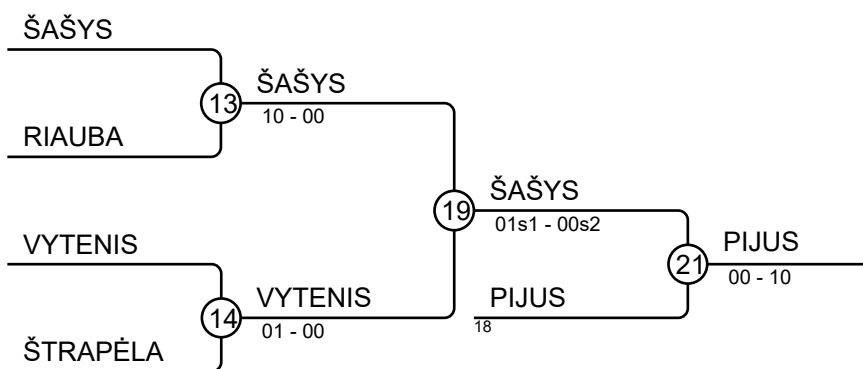
| Pos | Name                   |
|-----|------------------------|
| 1   | Dovydas PILECKAS,      |
| 2   | Žydrūnas MANKEVIČIUS,  |
| 3   | Deilas TERESA,         |
| 3   | Dovydas DARGUŽIS,      |
| 5   | Kasperas RALIČIUS,     |
| 5   | Benas Pijus STAŠKŪNAS, |
| 7   | Viktors PUZIREVSKI,    |
| 7   | Laurynas VALAIŠA,      |

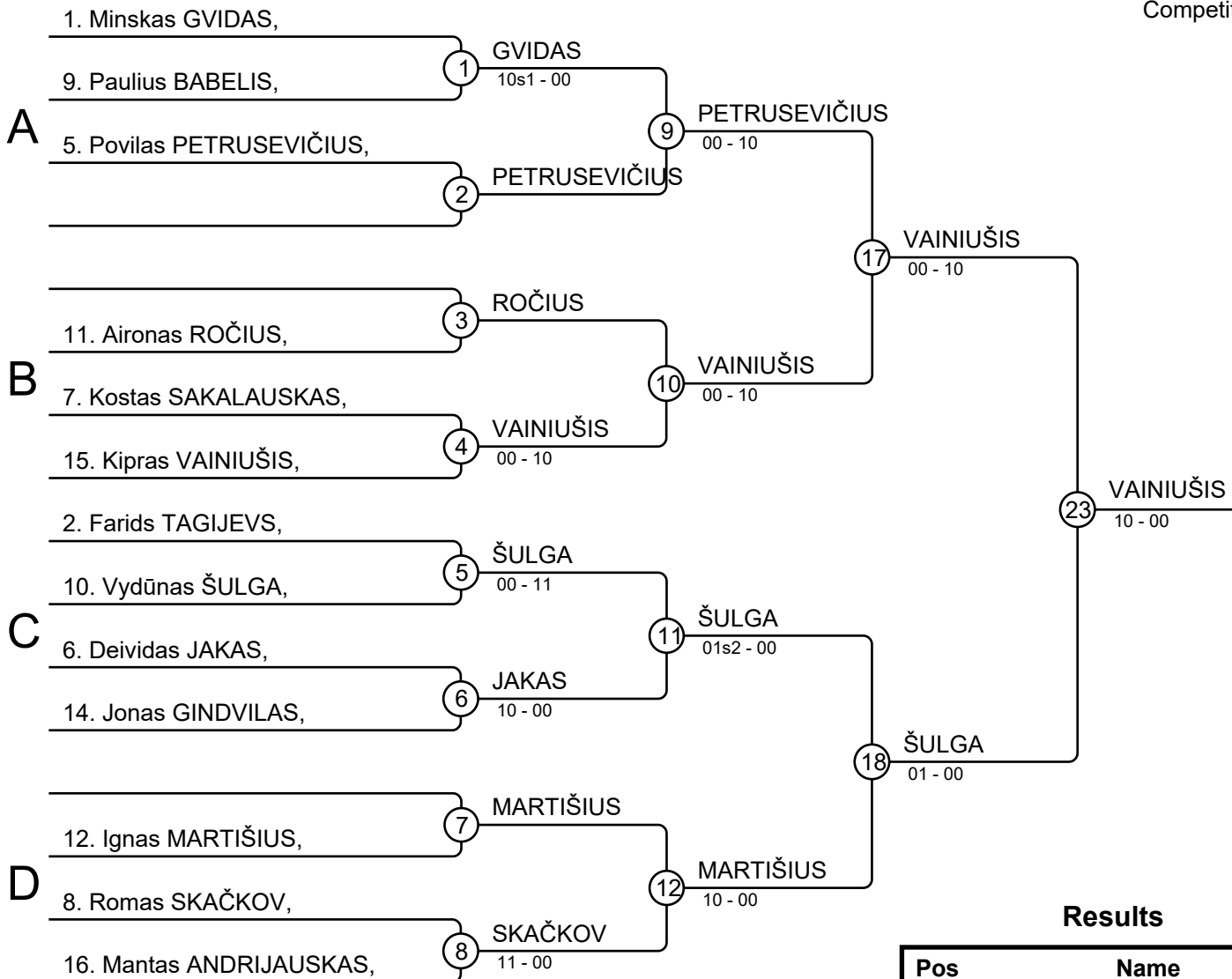




## Results

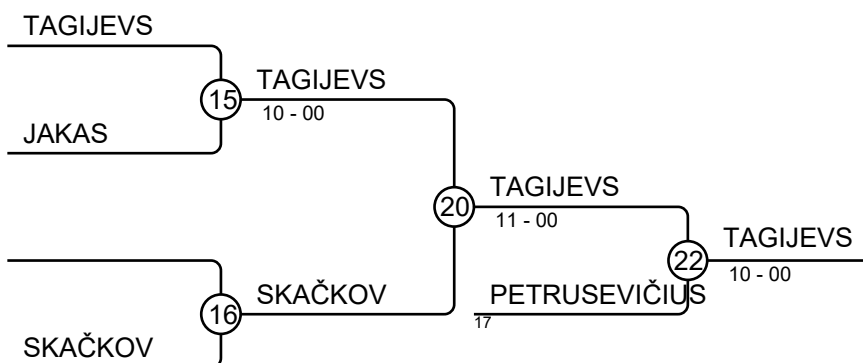
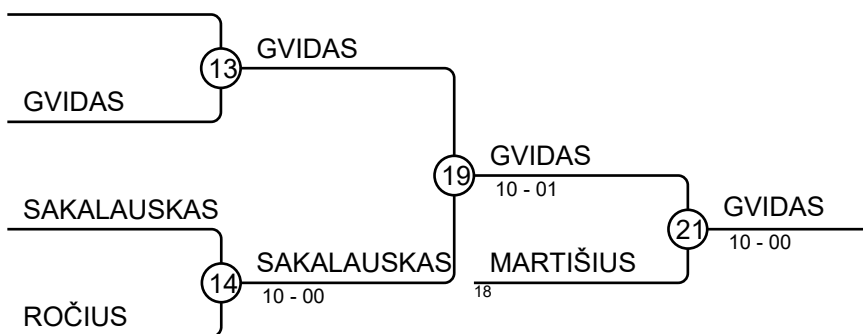
| Pos | Name                   |
|-----|------------------------|
| 1   | Miroslavs KĻAČKOVSKIS, |
| 2   | Nidas TAUTVYDAS,       |
| 3   | Pranevičius PIJUS,     |
| 3   | Emanuelis ROZMARIN,    |
| 5   | Martynas ŠAŠYS,        |
| 5   | Dovydas TADARAVIČIUS,  |
| 7   | Adomaitis VYTENIS,     |
| 7   | Mantvydas KUPSTYS,     |





## Results

| Pos | Name                   |
|-----|------------------------|
| 1   | Kipras VAINIUŠIS,      |
| 2   | Vydūnas ŠULGA,         |
| 3   | Minskas GVIDAS,        |
| 3   | Farids TAGIJEVS,       |
| 5   | Ignas MARTIŠIUS,       |
| 5   | Povilas PETRUSEVIČIUS, |
| 7   | Kostas SAKALAIUSKAS,   |
| 7   | Romas SKAČKOV,         |



# Klaipeda VU10-42

## Competitors

Competitors: 5

| # | Name                | Grade | Club | 1 | 2  | 3  | 4  | 5  | Wins | Pts | Pos |
|---|---------------------|-------|------|---|----|----|----|----|------|-----|-----|
| 1 | Bogdans MALUSEV     | ?     |      |   | 10 | 10 | 10 | 10 | 4    | 40  | 1   |
| 2 | Nojus PRATUSEVIČIUS | ?     |      |   |    | 10 |    | 10 | 2    | 20  | 2   |
| 3 | Evantas MIKALKĖNAS  | ?     |      |   |    |    | 10 | 10 | 2    | 20  | 3   |
| 4 | Majauskas ARONAS    | ?     |      |   | 1  |    |    | 10 | 2    | 11  | 4   |
| 5 | Mykolas BUDGINAS    | ?     |      |   |    |    |    |    | 0    | 0   | 5   |

### Matches

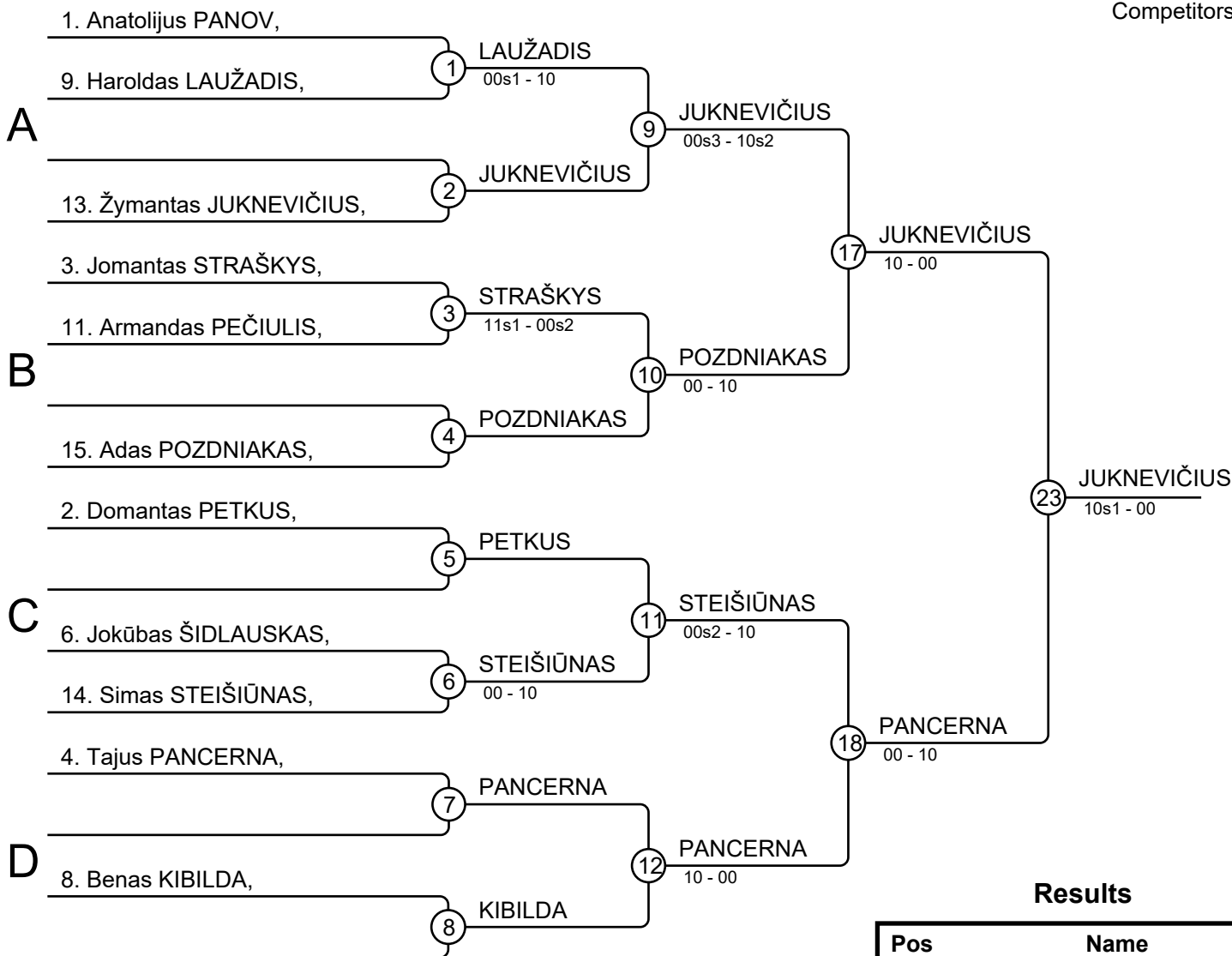
| Match | White               | Grade | Blue                | Grade | Result    | Time |
|-------|---------------------|-------|---------------------|-------|-----------|------|
| 1     | Majauskas ARONAS    | 4     | Mykolas BUDGINAS    | 5     | 10-00     | 1:49 |
| 2     | Bogdans MALUSEV     | 1     | Nojus PRATUSEVIČIUS | 2     | 10-01     | 0:55 |
| 3     | Evantas MIKALKĖNAS  | 3     | Majauskas ARONAS    | 4     | 10-00     | 0:17 |
| 4     | Bogdans MALUSEV     | 1     | Mykolas BUDGINAS    | 5     | 10-00     | 0:10 |
| 5     | Nojus PRATUSEVIČIUS | 2     | Evantas MIKALKĖNAS  | 3     | 10-01     | 1:19 |
| 6     | Bogdans MALUSEV     | 1     | Majauskas ARONAS    | 4     | 10-00     | 0:28 |
| 7     | Evantas MIKALKĖNAS  | 3     | Mykolas BUDGINAS    | 5     | 10-00     | 0:06 |
| 8     | Nojus PRATUSEVIČIUS | 2     | Majauskas ARONAS    | 4     | 00s2-01s2 | 2:17 |
| 9     | Bogdans MALUSEV     | 1     | Evantas MIKALKĖNAS  | 3     | 10-00     | 0:15 |
| 10    | Nojus PRATUSEVIČIUS | 2     | Mykolas BUDGINAS    | 5     | 10-00     | 0:33 |

### Results

| Pos | Name                 |
|-----|----------------------|
| 1   | Bogdans MALUSEV,     |
| 2   | Nojus PRATUSEVIČIUS, |
| 3   | Evantas MIKALKĖNAS,  |
| 4   | Majauskas ARONAS,    |
| 5   | Mykolas BUDGINAS,    |

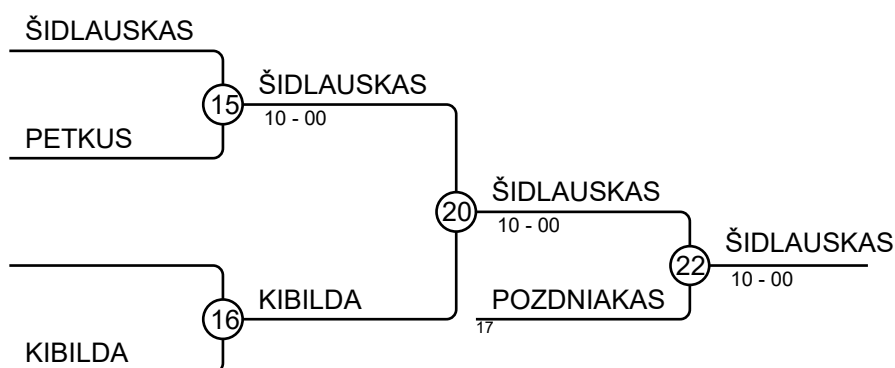
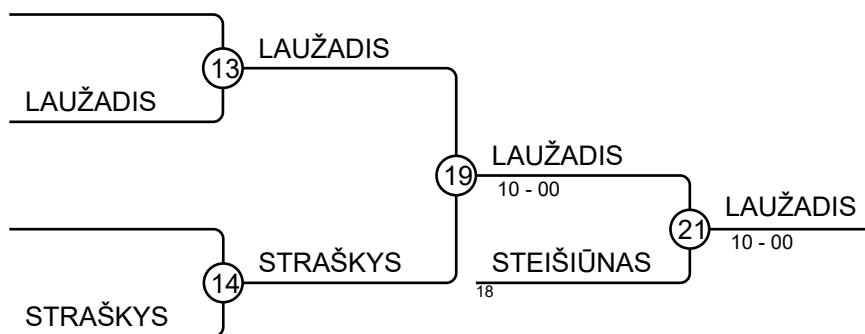
# Klaipeda VU10+42

Competitors: 11



## Results

| Pos | Name                  |
|-----|-----------------------|
| 1   | Žymantas JUKNEVIČIUS, |
| 2   | Tajus PANCERNA,       |
| 3   | Haroldas LAUŽADIS,    |
| 3   | Jokūbas ŠIDLAUSKAS,   |
| 5   | Simas STEIŠIŪNAS,     |
| 5   | Adas POZDNIAKAS,      |
| 7   | Jomantas STRAŠKYS,    |
| 7   | Benas KIBILDA,        |



# Klaipeda BU12-26kg

## Competitors

Competitors: 2

| # | Name                | Grade | Club | 1  | 2 | 1 | 2  | 1 | 2  | Wins | Pts | Pos |
|---|---------------------|-------|------|----|---|---|----|---|----|------|-----|-----|
| 1 | Meinardas GODVAIŠAS | ?     |      |    |   |   | 10 |   | 10 | 2    | 20  | 1   |
| 2 | Pijus Kučinskas     | ?     |      | 10 |   |   |    |   |    | 1    | 10  | 2   |

### Matches

| Match | White               | Grade | Blue            | Result    | Time |
|-------|---------------------|-------|-----------------|-----------|------|
| 1     | Meinardas GODVAIŠAS | 1 2   | Pijus Kučinskas | 00-10     | 0:07 |
| 2     | Meinardas GODVAIŠAS | 1 2   | Pijus Kučinskas | 10-00     | 1:27 |
| 3     | Meinardas GODVAIŠAS | 1 2   | Pijus Kučinskas | 10s1-00s1 | 2:09 |

### Results

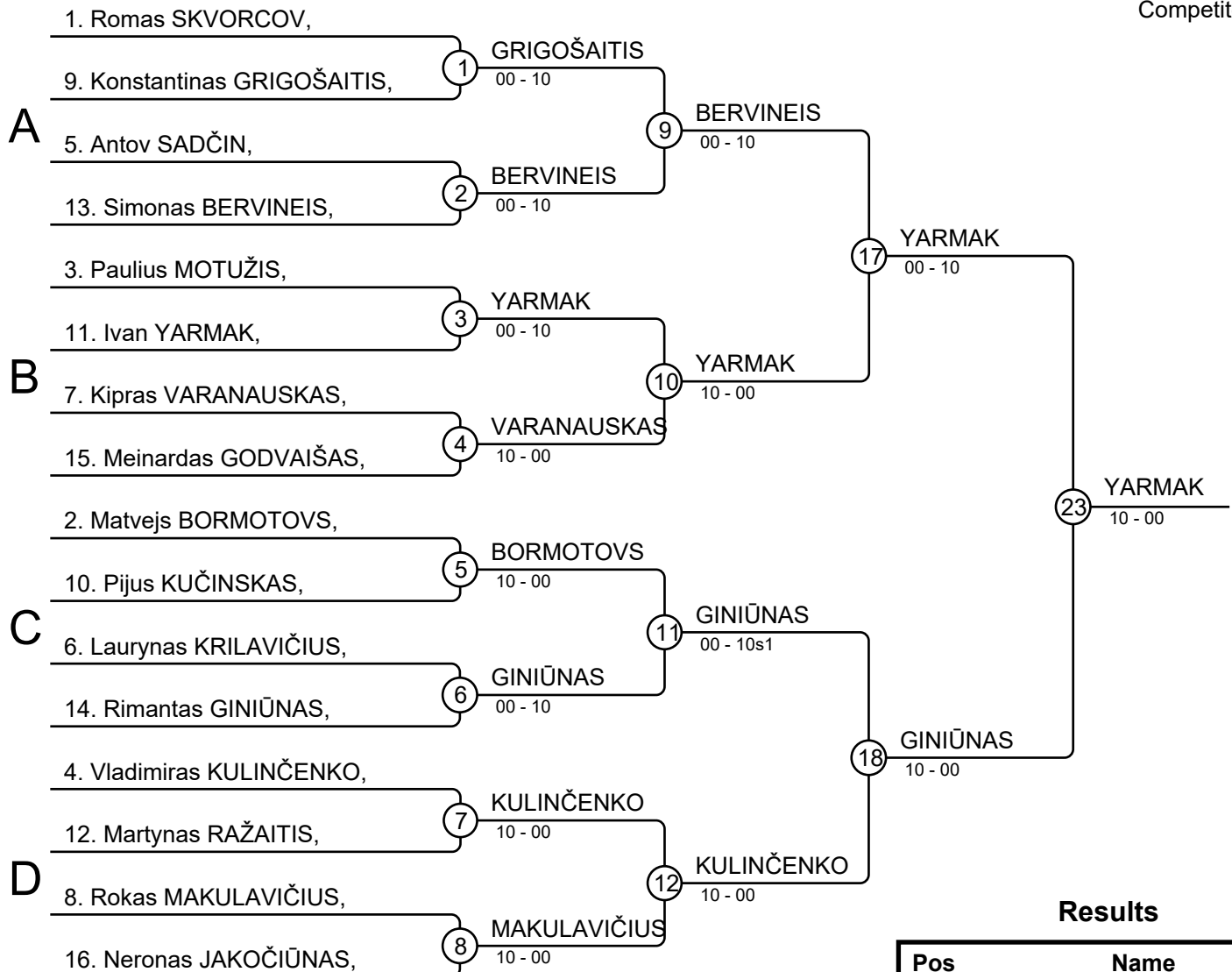
| Pos | Name                 |
|-----|----------------------|
| 1   | Meinardas GODVAIŠAS, |
| 2   | Pijus Kučinskas,     |



# Klaipeda

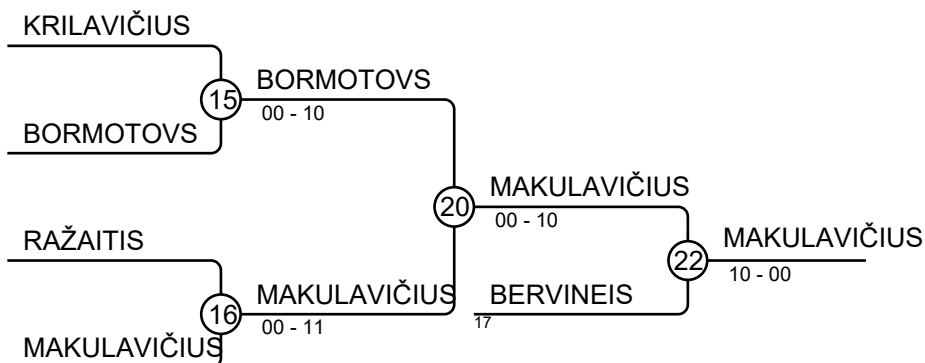
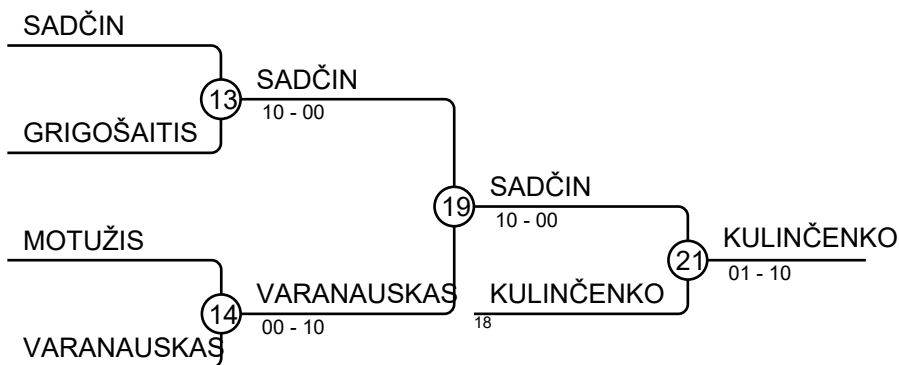
# BU12-29kg

Competitors: 16



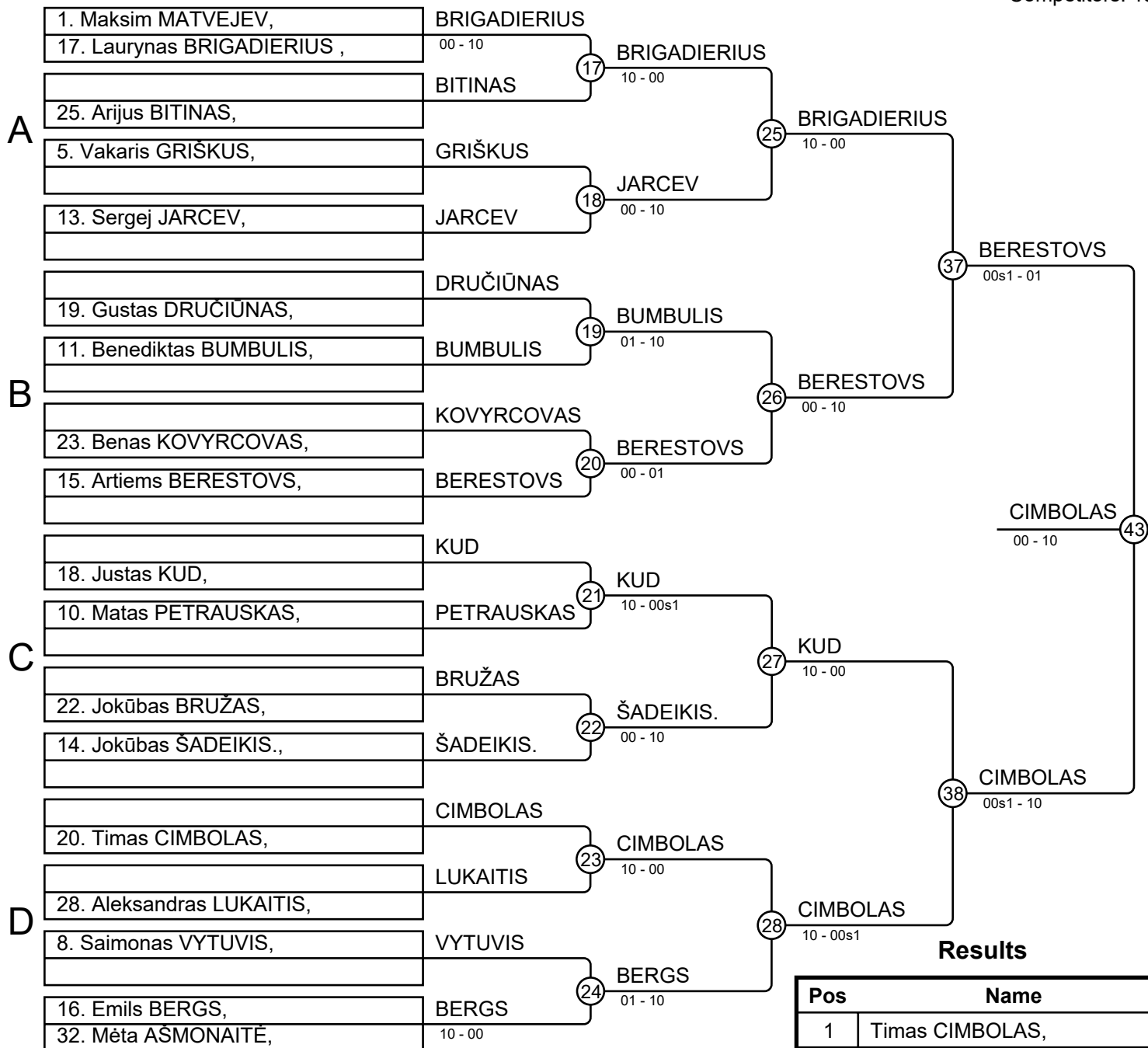
## Results

| Pos | Name                   |
|-----|------------------------|
| 1   | Ivan YARMAK,           |
| 2   | Rimantas GINIŪNAS,     |
| 3   | Vladimiras KULINČENKO, |
| 3   | Rokas MAKULAVIČIUS,    |
| 5   | Antov SADČIN,          |
| 5   | Simonas BERVINEIS,     |
| 7   | Kipras VARANAUSKAS,    |
| 7   | Matvejs BORMOTOVS,     |



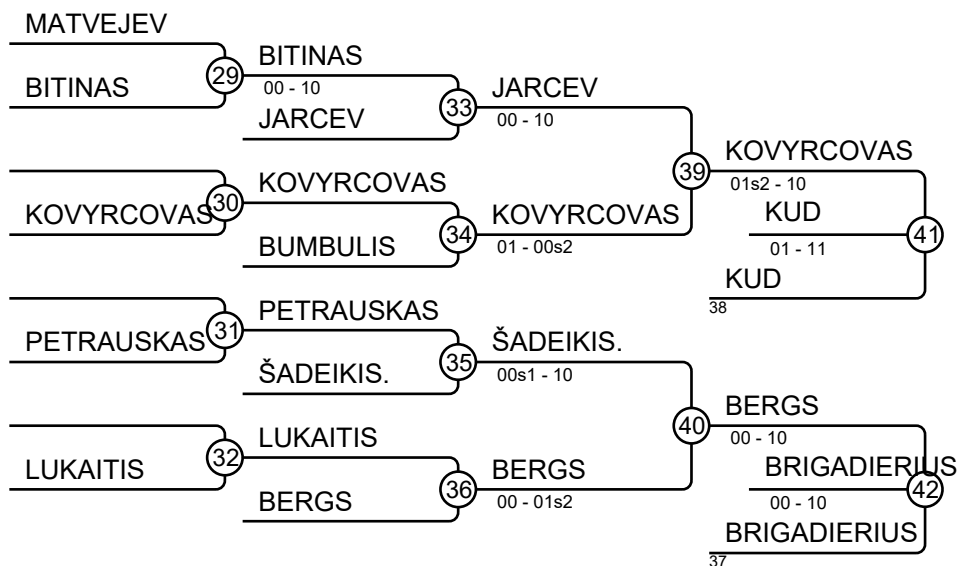
# Klaipeda BU12-32kg

Competitors: 18



## Results

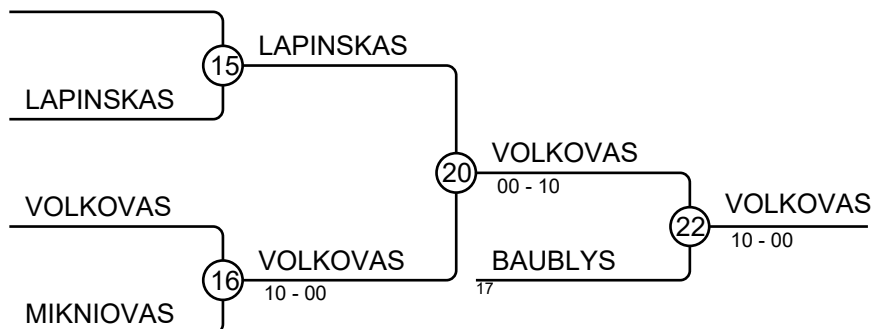
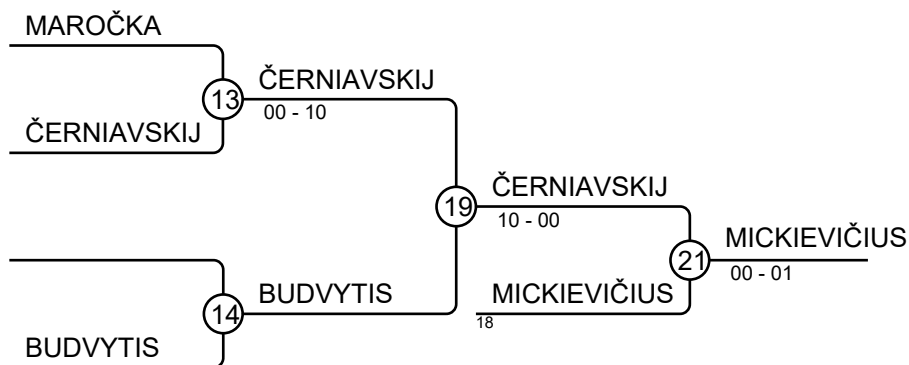
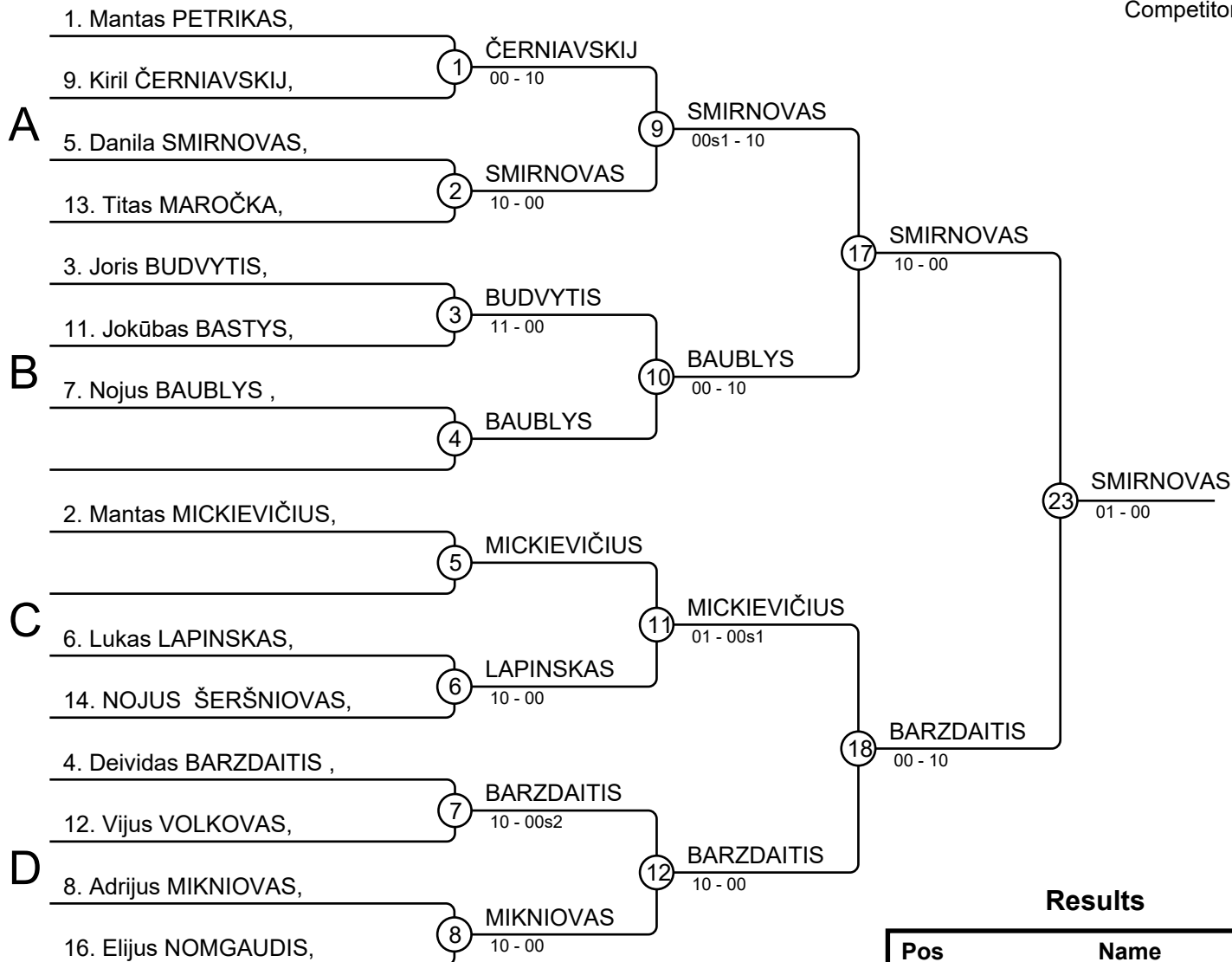
| Pos | Name                    |
|-----|-------------------------|
| 1   | Timas CIMBOLAS,         |
| 2   | Artiems BERESTOVS,      |
| 3   | Justas KUD,             |
| 3   | Laurynas BRIGADIERIUS , |
| 5   | Benas KOVYRCOVAS,       |
| 5   | Emils BERGS,            |
| 7   | Sergej JARCEV,          |
| 7   | Jokūbas ŠADEIKIS.,      |



# Klaipeda

# BU12-35kg

Competitors: 14

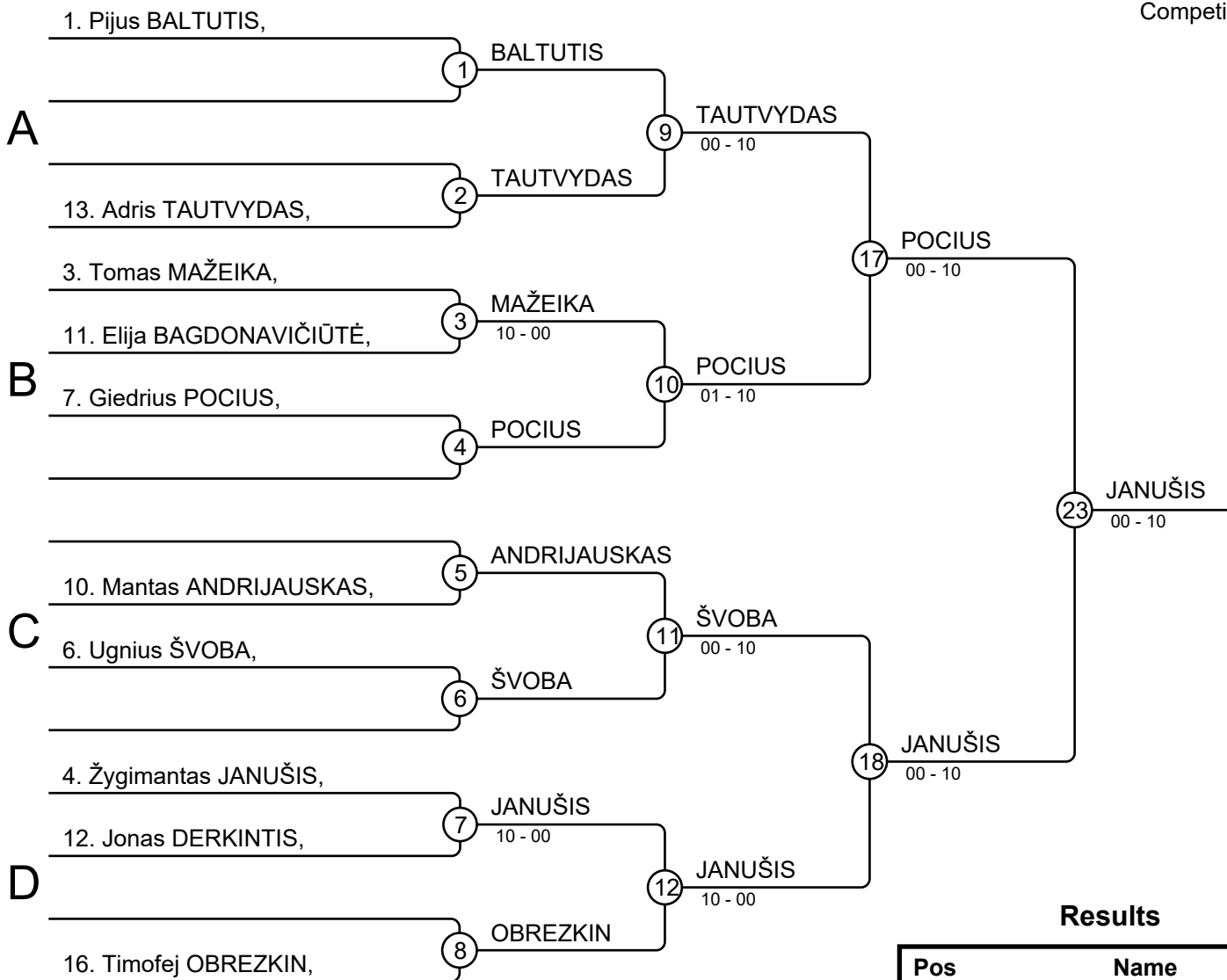


## Results

| Pos | Name                  |
|-----|-----------------------|
| 1   | Danila SMIRNOVAS,     |
| 2   | Deividas BARZDAITIS , |
| 3   | Mantas MICKIEVIČIUS,  |
| 3   | Vijus VOLKOVAS,       |
| 5   | Kiril ČERNIAVSKIJ,    |
| 5   | Nojus BAUBLYS ,       |
| 7   | Joris BUDVYTIS,       |
| 7   | Lukas LAPINSKAS,      |

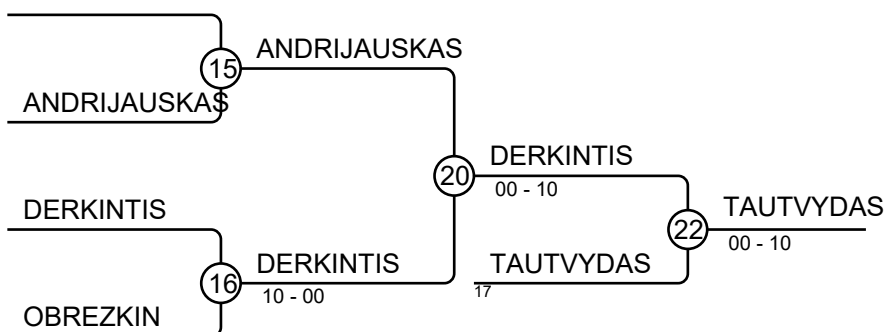
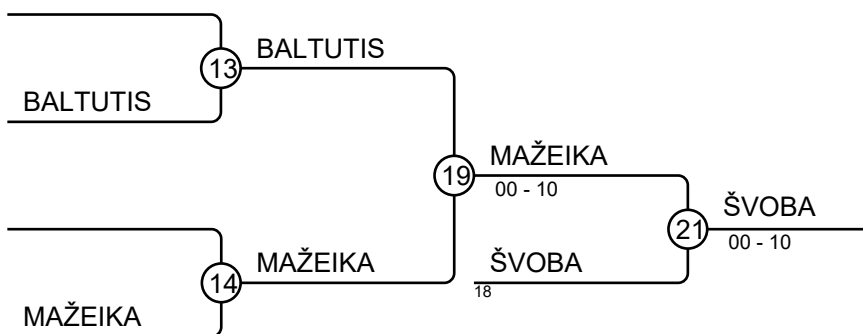
# Klaipeda BU12-38kg

Competitors: 10



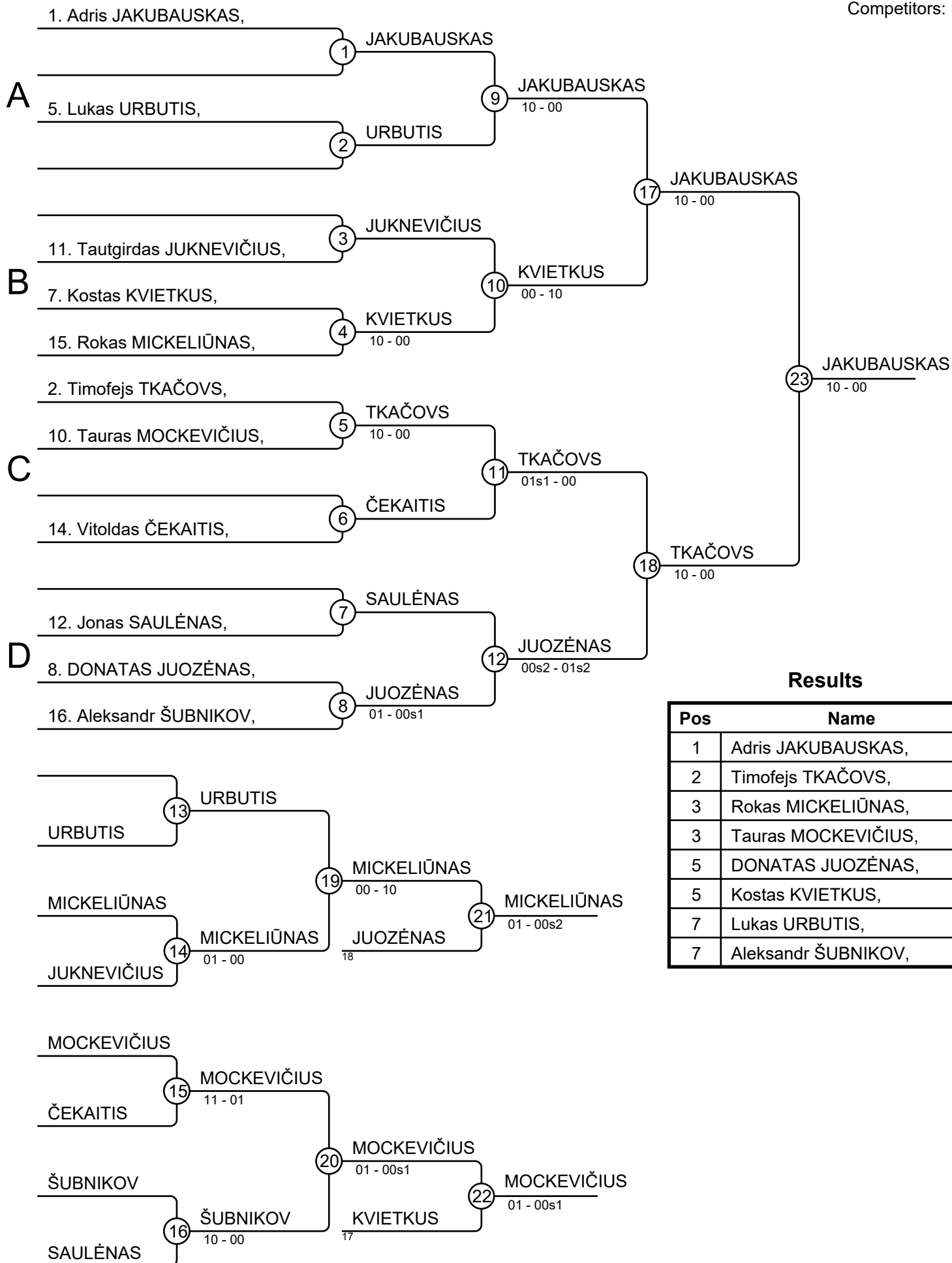
## Results

| Pos | Name                 |
|-----|----------------------|
| 1   | Žygimantas JANUŠIS,  |
| 2   | Giedrius POCIUS,     |
| 3   | Ugnius ŠVOBA,        |
| 3   | Adris TAUTVYDAS,     |
| 5   | Tomas MAŽEIKA,       |
| 5   | Jonas DERKINTIS,     |
| 7   | Pijus BALTUTIS,      |
| 7   | Mantas ANDRIJAUSKAS, |



# Klaipeda BU12-42kg

Competitors: 11



## Results

| Pos | Name                |
|-----|---------------------|
| 1   | Adris JAKUBAUSKAS,  |
| 2   | Timofejs TKAČOVŠ,   |
| 3   | Rokas MICKELIŪNAS,  |
| 3   | Tauras MOCKEVIČIUS, |
| 5   | DONATAS JUOZĒNAS,   |
| 5   | Kostas KVIETKUS,    |
| 7   | Lukas URBUTIS,      |
| 7   | Aleksandr ŠUBNIKOV, |

# Klaipeda BU12-46kg

## Competitors

Competitors: 4

| # | Name                 | Grade | Club | 1  | 2  | 3  | 4 | Wins | Pts | Pos |
|---|----------------------|-------|------|----|----|----|---|------|-----|-----|
| 1 | Dominykas SVIDERSKAS | ?     |      |    | 10 |    |   | 1    | 10  | 3   |
| 2 | Tomas Stankevičius   | ?     |      |    |    |    |   | 0    | 0   | 4   |
| 3 | David SUPAHUNOV      | ?     |      | 10 | 10 |    |   | 2    | 20  | 2   |
| 4 | Titas NEDZINSKAS     | ?     |      | 10 | 10 | 10 |   | 3    | 30  | 1   |

### Matches

| Match | White                | Grade | Blue               | Result    | Time |
|-------|----------------------|-------|--------------------|-----------|------|
| 1     | Dominykas SVIDERSKAS | 1 2   | Tomas Stankevičius | 10-01     | 0:52 |
| 2     | David SUPAHUNOV      | 3 4   | Titas NEDZINSKAS   | 00-10     | 0:19 |
| 3     | Dominykas SVIDERSKAS | 1 3   | David SUPAHUNOV    | 01s2-11s1 | 3:10 |
| 4     | Tomas Stankevičius   | 2 4   | Titas NEDZINSKAS   | 00-10     | 0:21 |
| 5     | Dominykas SVIDERSKAS | 1 4   | Titas NEDZINSKAS   | 00-10     | 0:16 |
| 6     | Tomas Stankevičius   | 2 3   | David SUPAHUNOV    | 01-11     | 1:45 |

### Results

| Pos | Name                  |
|-----|-----------------------|
| 1   | Titas NEDZINSKAS,     |
| 2   | David SUPAHUNOV,      |
| 3   | Dominykas SVIDERSKAS, |
| 4   | Tomas Stankevičius,   |

# Klaipeda BU12-50kg

## Competitors

Competitors: 2

| # | Name                 | Grade | Club | 1  | 2 | 1  | 2 | 1 | 2 | Wins | Pts | Pos |
|---|----------------------|-------|------|----|---|----|---|---|---|------|-----|-----|
| 1 | Žygimantas DIČPETRIS | ?     |      |    |   |    |   |   |   | 0    | 0   | 2   |
| 2 | Tajus BABAIČENKO     | ?     |      | 10 |   | 10 |   |   |   | 2    | 20  | 1   |

### Matches

| Match | White                | Grade | Blue             | Result | Time |
|-------|----------------------|-------|------------------|--------|------|
| 1     | Žygimantas DIČPETRIS | 1 2   | Tajus BABAIČENKO | 00-10  | 0:22 |
| 2     | Žygimantas DIČPETRIS | 1 2   | Tajus BABAIČENKO | 00-11  | 0:36 |
| 3     | Žygimantas DIČPETRIS | 1 2   | Tajus BABAIČENKO |        |      |

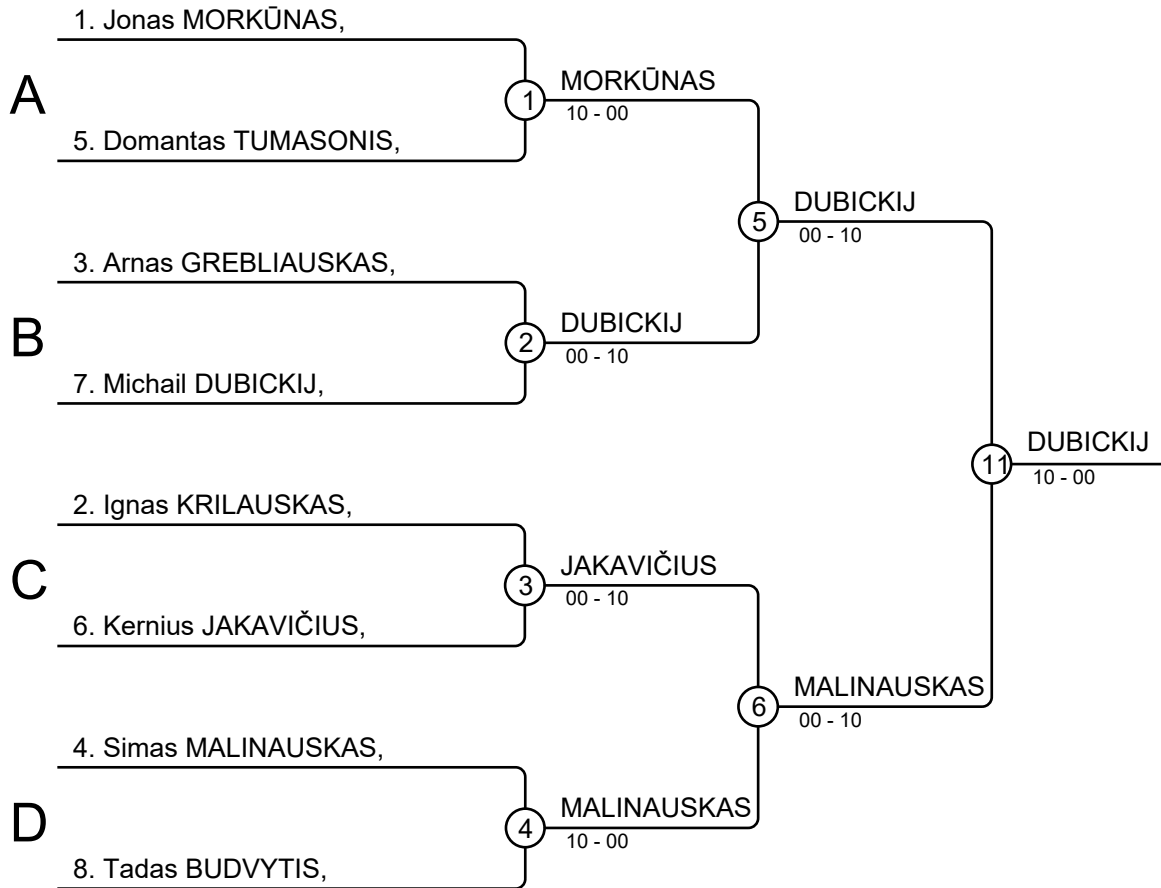
### Results

| Pos | Name                  |
|-----|-----------------------|
| 1   | Tajus BABAIČENKO,     |
| 2   | Žygimantas DIČPETRIS, |

# Klaipeda

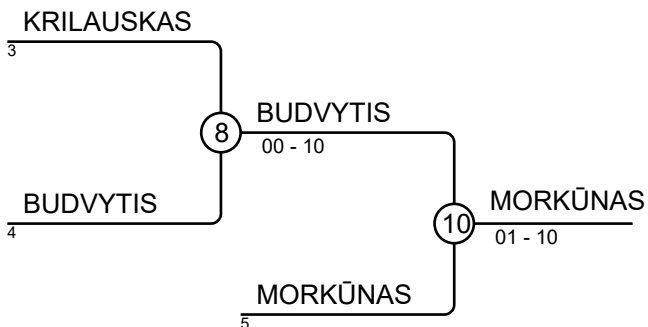
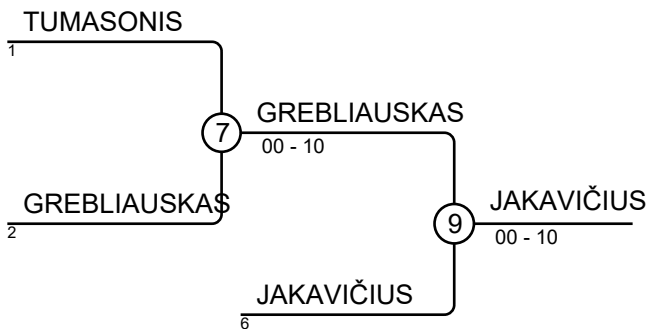
# BU12-55kg

Competitors: 8



## Results

| Pos | Name                |
|-----|---------------------|
| 1   | Michail DUBICKIJ,   |
| 2   | Simas MALINAUSKAS,  |
| 3   | Kernius JAKAVIČIUS, |
| 3   | Jonas MORKŪNAS,     |
| 5   | Arnas GREBLIAUSKAS, |
| 5   | Tadas BUDVYTIS,     |
| 7   | Domantas TUMASONIS, |
| 7   | Ignas KRILAIŠKAS,   |





# Klaipeda BU12-60kg

## Competitors

Competitors: 5

| # | Name                | Grade | Club | 1 | 2  | 3  | 4  | 5  | Wins | Pts | Pos |
|---|---------------------|-------|------|---|----|----|----|----|------|-----|-----|
| 1 | Tadas STEPONAVIČIUS | ?     |      |   | 10 | 10 | 10 | 10 | 4    | 40  | 1   |
| 2 | Ignas KLIMANSKIS    | ?     |      |   |    | 10 | 10 | 10 | 3    | 30  | 2   |
| 3 | Rokas NAVIKAS       | ?     |      |   |    |    |    | 10 | 1    | 10  | 4   |
| 4 | Nojus ČERNAUSKAS    | ?     |      |   |    | 10 |    | 10 | 2    | 20  | 3   |
| 5 | Ainius KRAPUKAITIS  | ?     |      |   |    |    |    |    | 0    | 0   | 5   |

### Matches

| Match | White               | Grade | Blue               | Grade | Result    | Time |
|-------|---------------------|-------|--------------------|-------|-----------|------|
| 1     | Nojus ČERNAUSKAS    | 4     | Ainius KRAPUKAITIS | 5     | 10-00     | 0:47 |
| 2     | Tadas STEPONAVIČIUS | 1     | Ignas KLIMANSKIS   | 2     | 10-00     | 0:13 |
| 3     | Rokas NAVIKAS       | 3     | Nojus ČERNAUSKAS   | 4     | 00-10     | 1:41 |
| 4     | Tadas STEPONAVIČIUS | 1     | Ainius KRAPUKAITIS | 5     | 10-00s1   | 0:58 |
| 5     | Ignas KLIMANSKIS    | 2     | Rokas NAVIKAS      | 3     | 11s1-00s1 | 1:43 |
| 6     | Tadas STEPONAVIČIUS | 1     | Nojus ČERNAUSKAS   | 4     | 10-00     | 0:25 |
| 7     | Rokas NAVIKAS       | 3     | Ainius KRAPUKAITIS | 5     | 10-00     | 6:44 |
| 8     | Ignas KLIMANSKIS    | 2     | Nojus ČERNAUSKAS   | 4     | 11s1-01   | 2:08 |
| 9     | Tadas STEPONAVIČIUS | 1     | Rokas NAVIKAS      | 3     | 10-00     | 0:12 |
| 10    | Ignas KLIMANSKIS    | 2     | Ainius KRAPUKAITIS | 5     | 10-00     | 0:48 |

### Results

| Pos | Name                 |
|-----|----------------------|
| 1   | Tadas STEPONAVIČIUS, |
| 2   | Ignas KLIMANSKIS,    |
| 3   | Nojus ČERNAUSKAS,    |
| 4   | Rokas NAVIKAS,       |
| 5   | Ainius KRAPUKAITIS,  |

# Klaipeda BU12+66kg

Competitors

Competitors: 5

| # | Name               | Grade | Club | 1  | 2  | 3  | 4 | 5  | Wins | Pts | Pos |
|---|--------------------|-------|------|----|----|----|---|----|------|-----|-----|
| 1 | Deniss BRULS       | ?     |      |    | 10 | 10 |   | 10 | 3    | 30  | 2   |
| 2 | Tadas ŠILKAITIS    | ?     |      |    |    |    |   |    | 0    | 0   | 5   |
| 3 | Jogaila OBELIENIUS | ?     |      |    | 10 |    |   |    | 1    | 10  | 4   |
| 4 | Majus PETRAUSKAS   | ?     |      | 10 | 10 | 10 |   | 10 | 4    | 40  | 1   |
| 5 | Nojus KUNGYS       | ?     |      |    | 10 | 10 |   |    | 2    | 20  | 3   |

## Matches

| Match | White              | Blue                   | Result    | Time |
|-------|--------------------|------------------------|-----------|------|
| 1     | Majus PETRAUSKAS   | 4 5 Nojus KUNGYS       | 10s1-00s1 | 0:49 |
| 2     | Deniss BRULS       | 1 2 Tadas ŠILKAITIS    | 10-00s1   | 1:18 |
| 3     | Jogaila OBELIENIUS | 3 4 Majus PETRAUSKAS   | 00-10     | 1:00 |
| 4     | Deniss BRULS       | 1 5 Nojus KUNGYS       | 10s1-00   | 0:56 |
| 5     | Tadas ŠILKAITIS    | 2 3 Jogaila OBELIENIUS | 00-10     | 0:31 |
| 6     | Deniss BRULS       | 1 4 Majus PETRAUSKAS   | 00s1-10   | 1:35 |
| 7     | Jogaila OBELIENIUS | 3 5 Nojus KUNGYS       | 00-10     | 0:07 |
| 8     | Tadas ŠILKAITIS    | 2 4 Majus PETRAUSKAS   | 00-10     | 0:19 |
| 9     | Deniss BRULS       | 1 3 Jogaila OBELIENIUS | 10-00     | 0:10 |
| 10    | Tadas ŠILKAITIS    | 2 5 Nojus KUNGYS       | 00-10     | 0:27 |

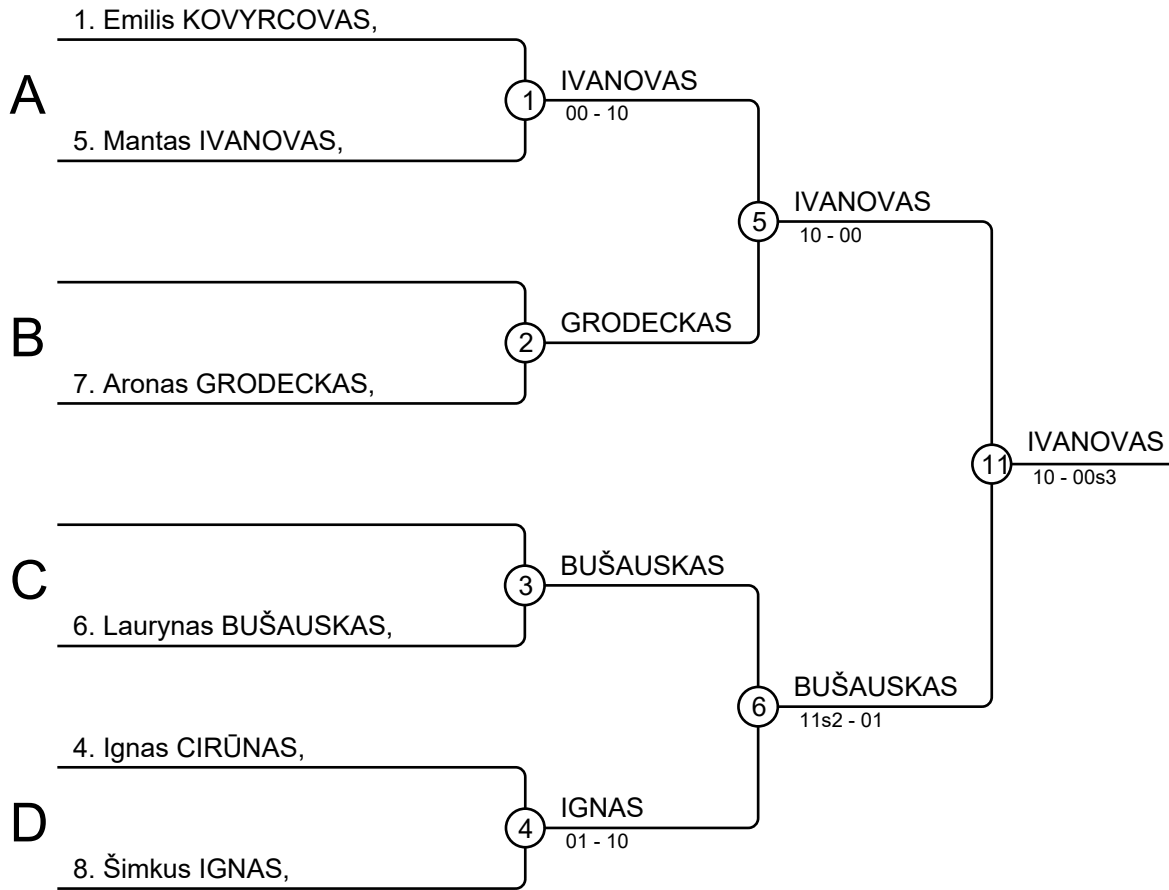
## Results

| Pos | Name                |
|-----|---------------------|
| 1   | Majus PETRAUSKAS,   |
| 2   | Deniss BRULS,       |
| 3   | Nojus KUNGYS,       |
| 4   | Jogaila OBELIENIUS, |
| 5   | Tadas ŠILKAITIS,    |

# Klaipeda

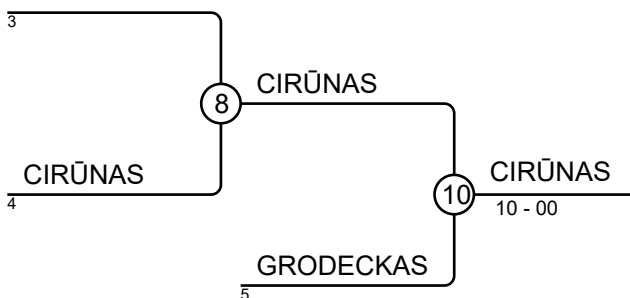
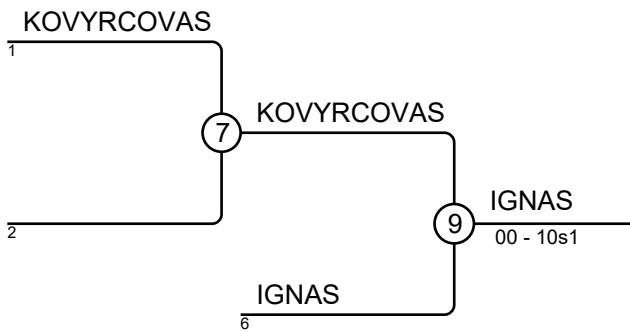
# BU14-35kg

Competitors: 6



## Results

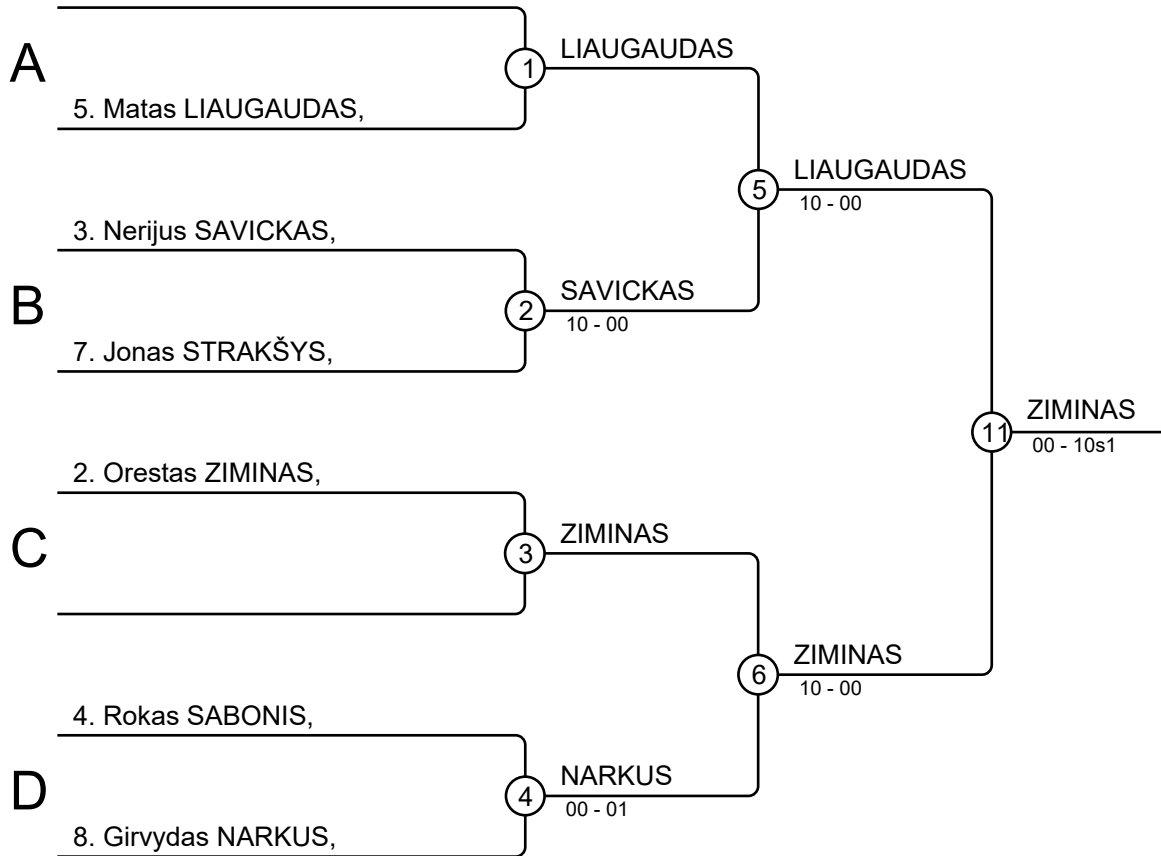
| Pos | Name                |
|-----|---------------------|
| 1   | Mantas IVANOVAS,    |
| 2   | Laurynas BUŠAUSKAS, |
| 3   | Šimkus IGNAS,       |
| 3   | Ignas CIRŪNAS,      |
| 5   | Emilis KOVYRCOVAS,  |
| 5   | Aronas GRODECKAS,   |
| 7   |                     |
| 7   |                     |



# Klaipeda

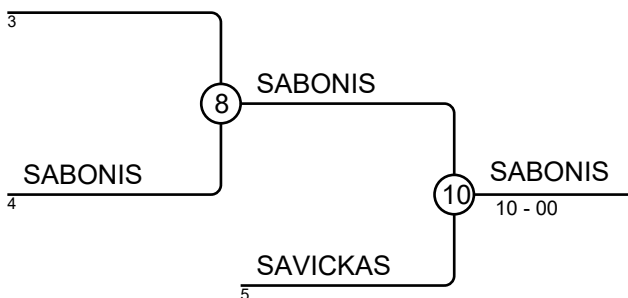
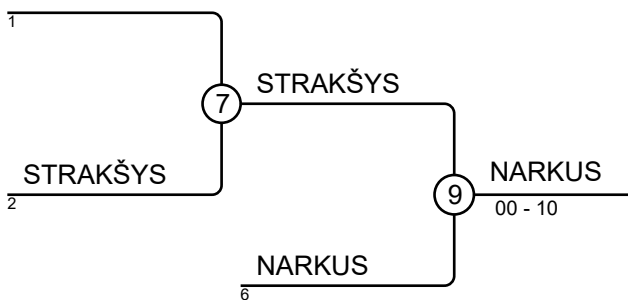
# BU14-38kg

Competitors: 6



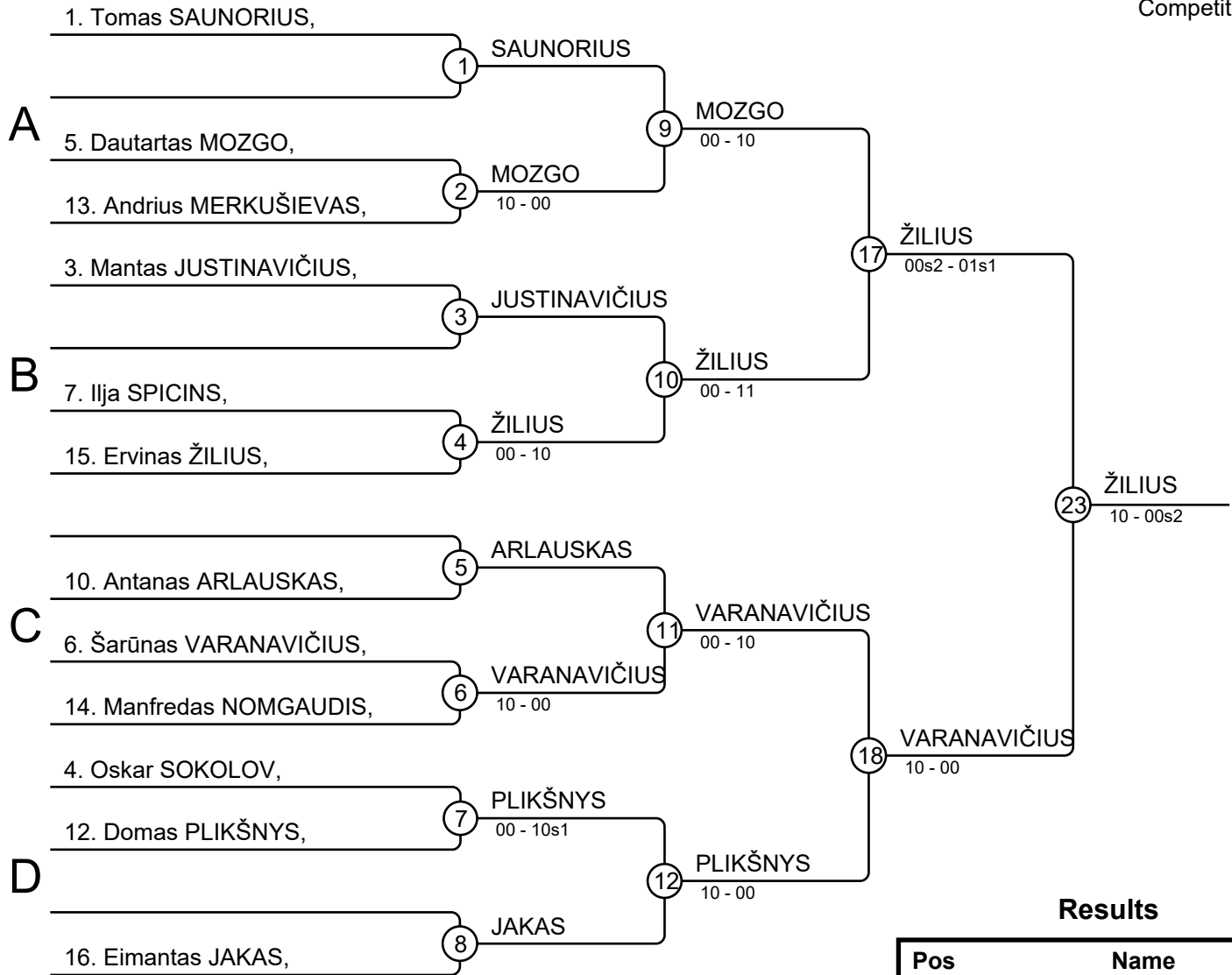
## Results

| Pos | Name              |
|-----|-------------------|
| 1   | Orestas ZIMINAS,  |
| 2   | Matas LIAUGAUDAS, |
| 3   | Girvydas NARKUS,  |
| 3   | Rokas SABONIS,    |
| 5   | Jonas STRAKŠYS,   |
| 5   | Nerijus SAVICKAS, |
| 7   |                   |
| 7   |                   |



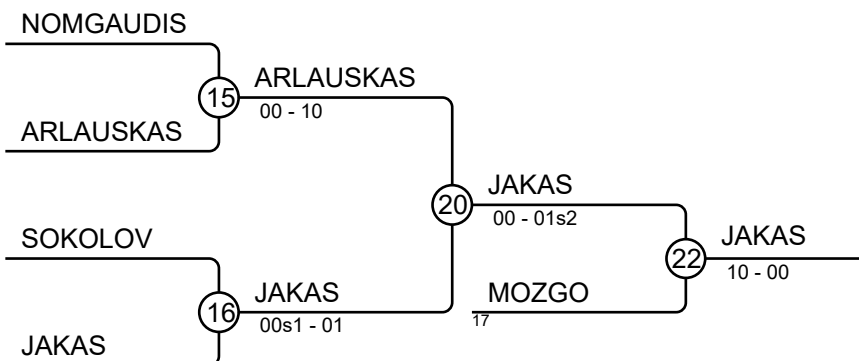
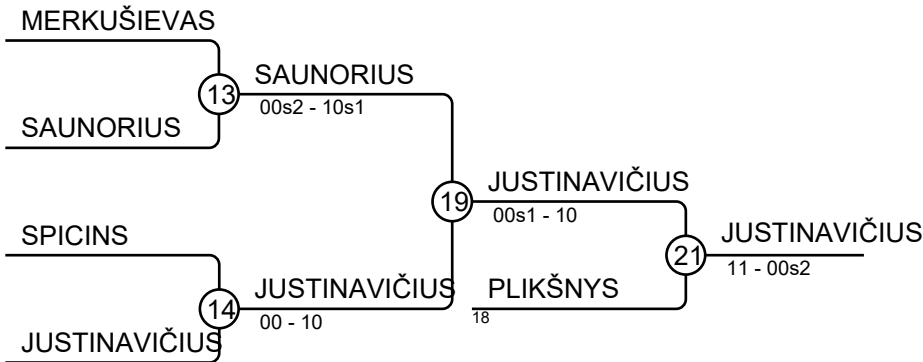
# Klaipeda BU14-42kg

Competitors: 12



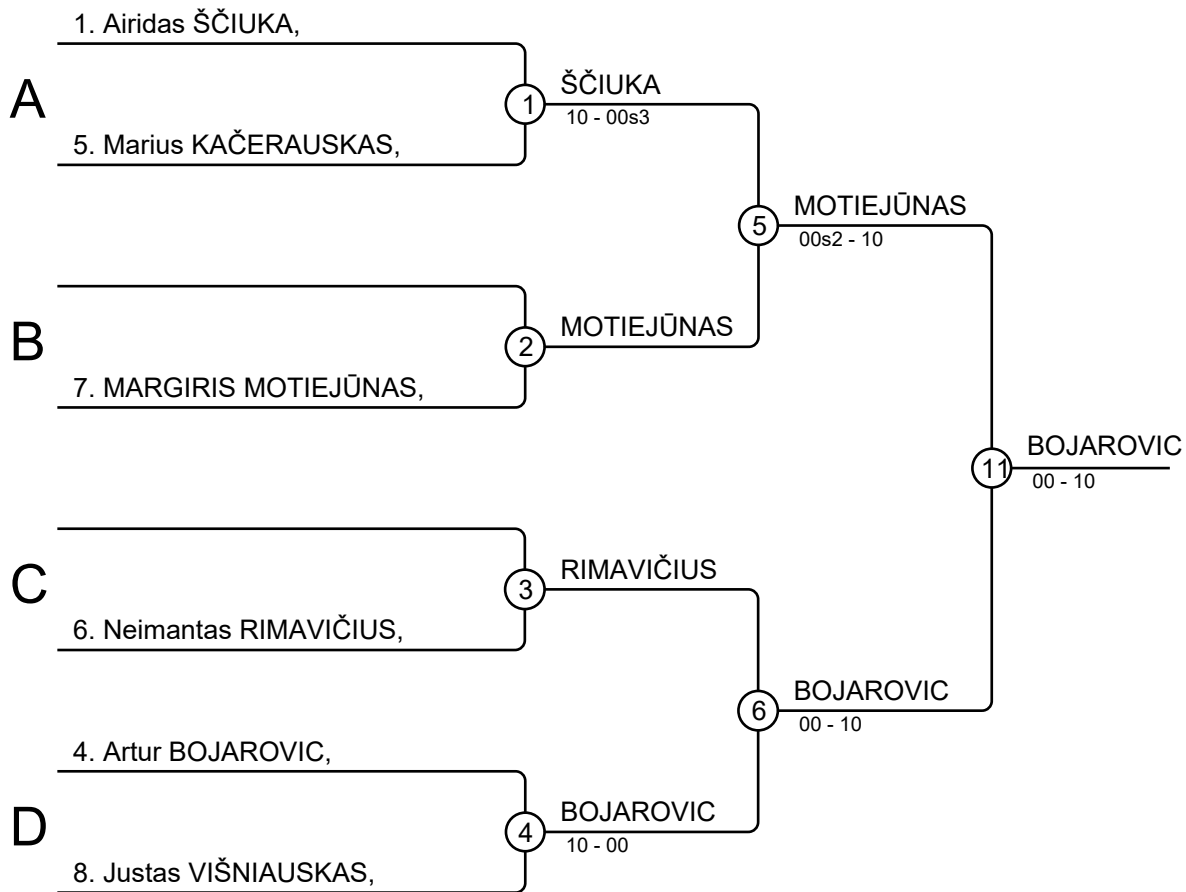
## Results

| Pos | Name                  |
|-----|-----------------------|
| 1   | Ervinas ŽILIIUS,      |
| 2   | Šarūnas VARANAVIČIUS, |
| 3   | Mantas JUSTINAVIČIUS, |
| 3   | Eimantas JAKAS,       |
| 5   | Domas PLIKŠNYS,       |
| 5   | Dautartas MOZGO,      |
| 7   | Tomas SAUNORIUS,      |
| 7   | Antanas ARLAUSKAS,    |



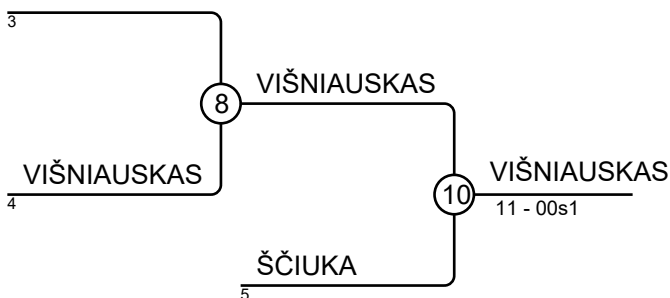
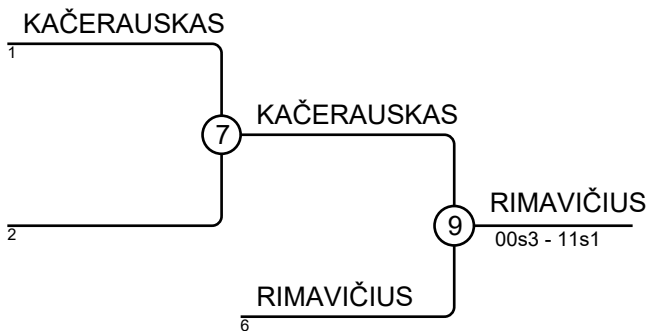
# Klaipeda BU14-46kg

Competitors: 6



## Results

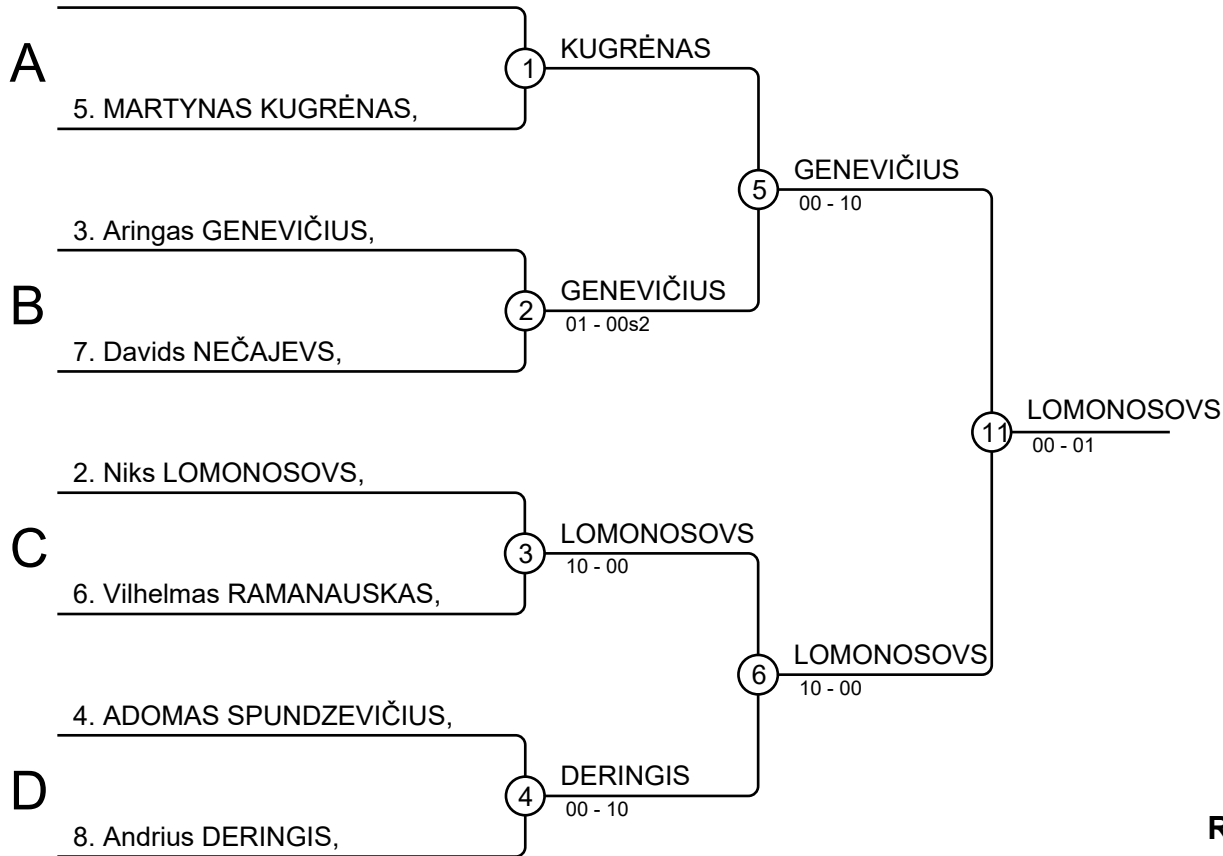
| Pos | Name                  |
|-----|-----------------------|
| 1   | Artur BOJAROVIC,      |
| 2   | MARGIRIS MOTIEJŪNAS,  |
| 3   | Neimantas RIMAVIČIUS, |
| 3   | Justas VIŠNIAUSKAS,   |
| 5   | Marius KAČERAUSKAS,   |
| 5   | Airidas ŠČIUKA,       |
| 7   |                       |
| 7   |                       |



# Klaipeda

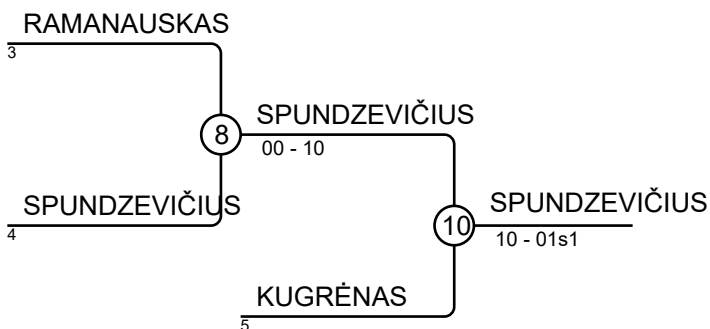
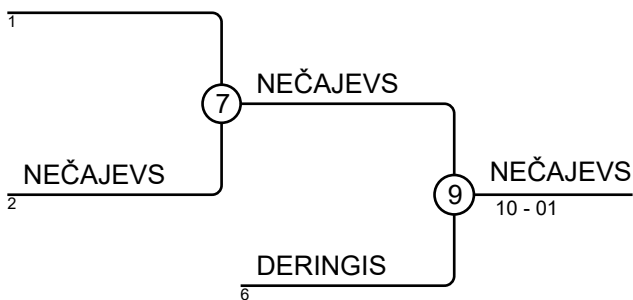
# BU14-50kg

Competitors: 7



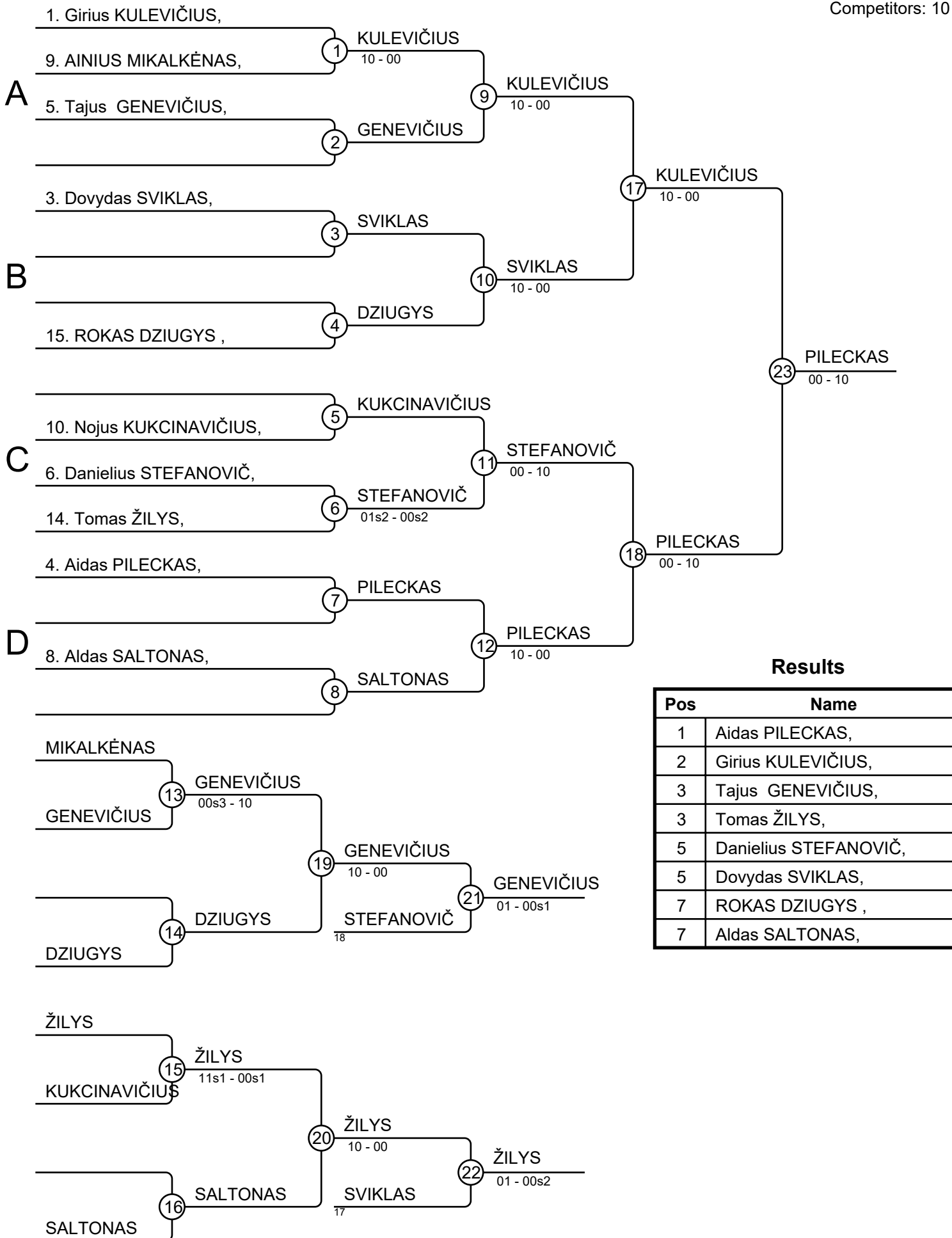
## Results

| Pos | Name                   |
|-----|------------------------|
| 1   | Niks LOMONOSOVs,       |
| 2   | Aringas GENEVIČIUS,    |
| 3   | Davids NEČAJEVS,       |
| 3   | ADOMAS SPUNDZEVIČIUS,  |
| 5   | Andrius DERINGIS,      |
| 5   | MARTYNAS KUGRĒNAS,     |
| 7   |                        |
| 7   | Vilhelmas RAMANAUSKAS, |



# Klaipeda BU14-55kg

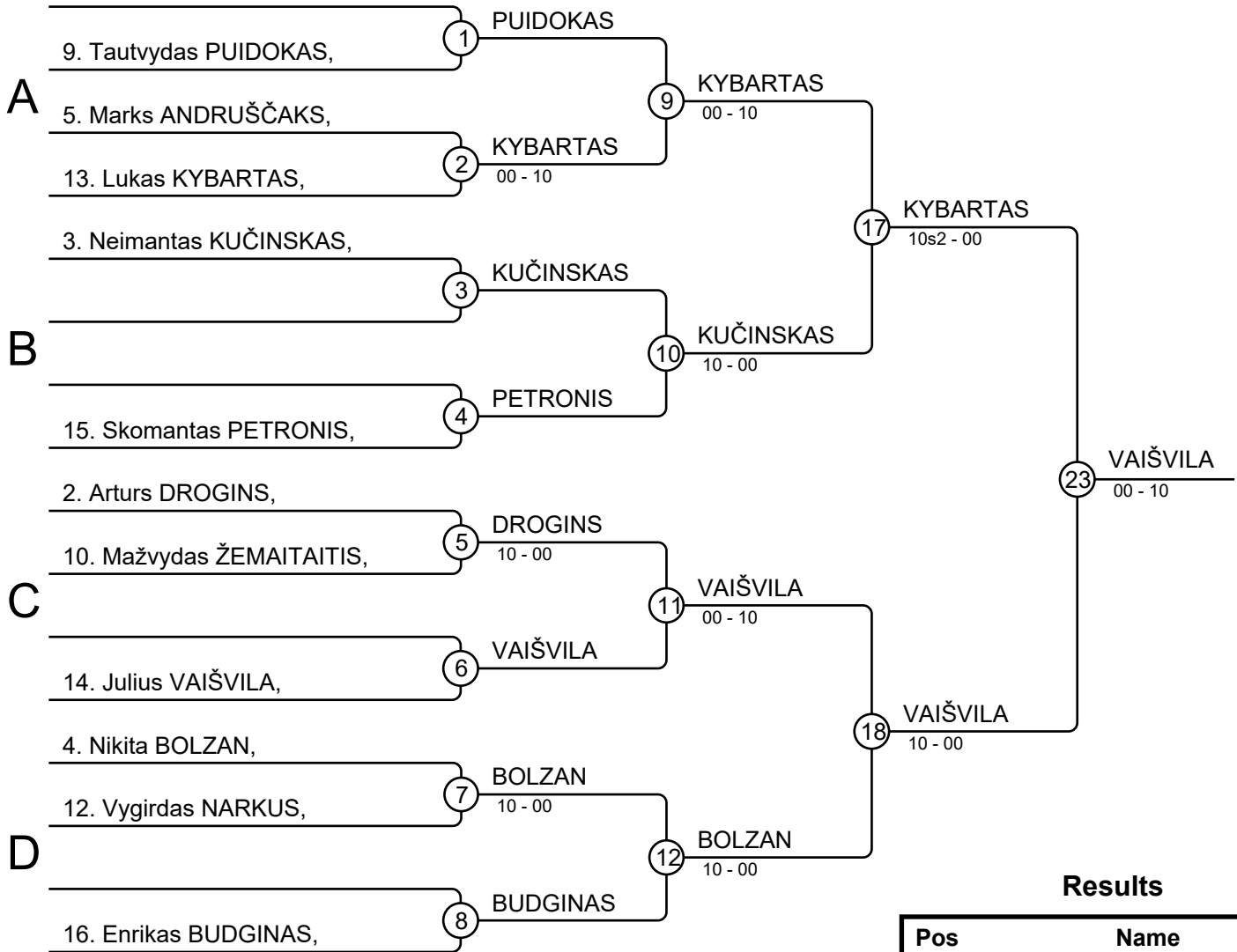
Competitors: 10





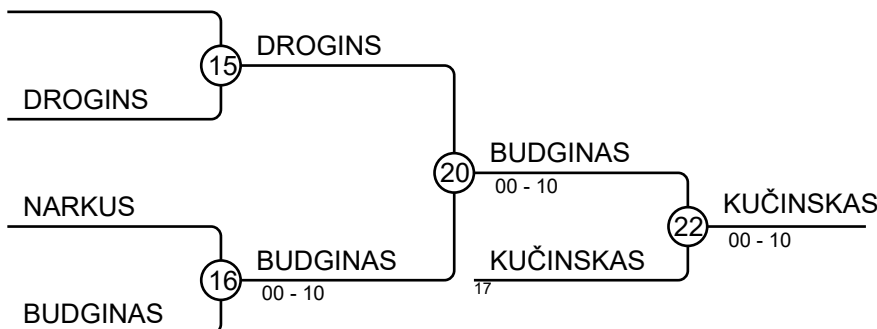
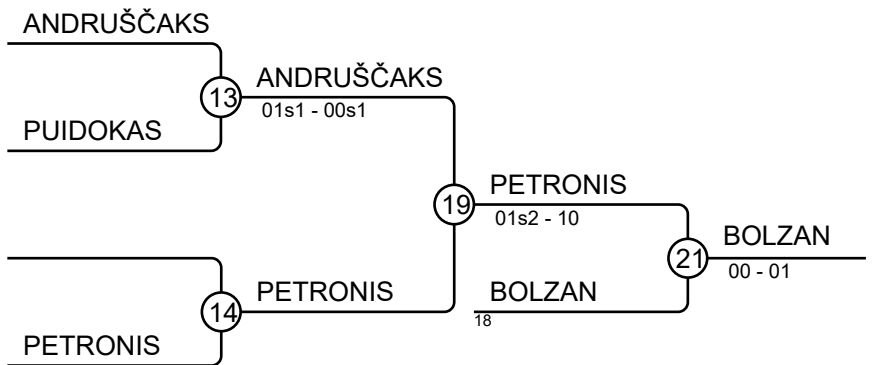
# Klaipeda BU14-60kg

Competitors: 11



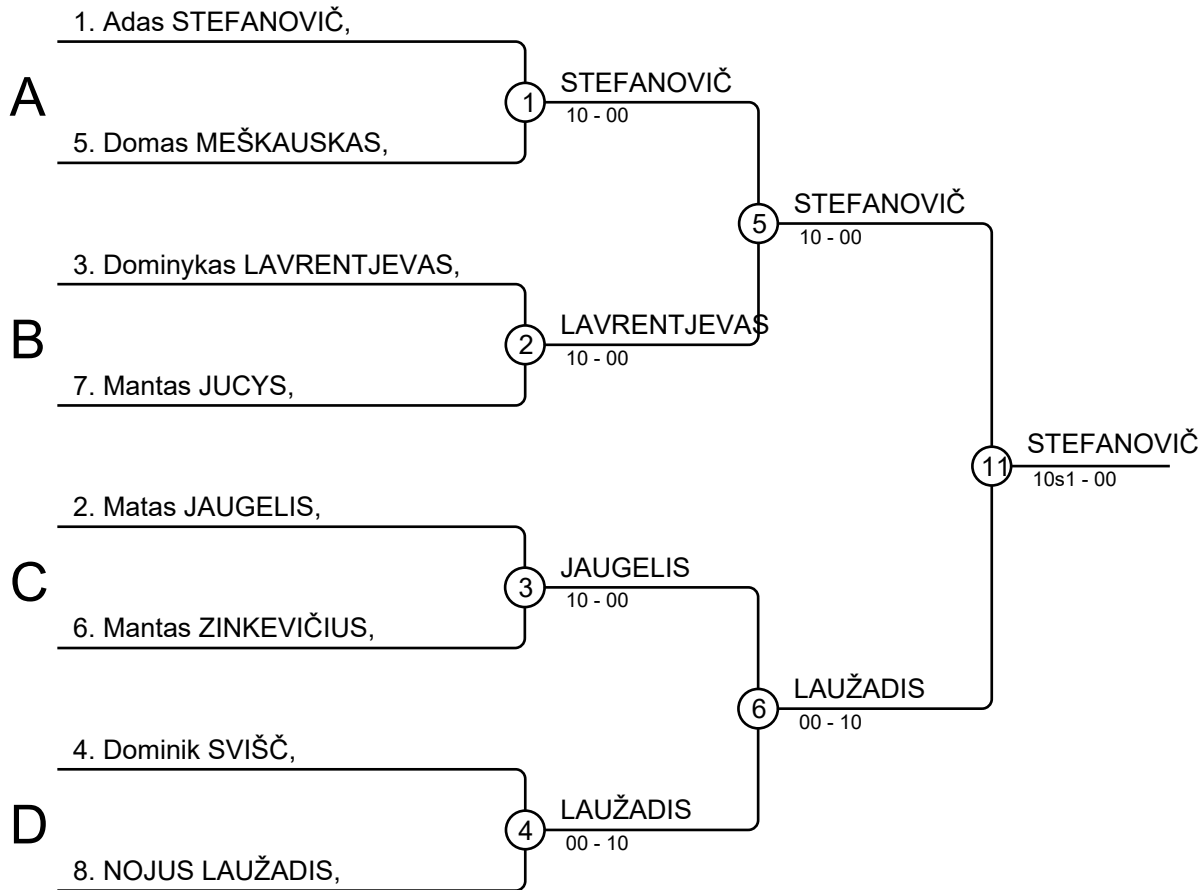
## Results

| Pos | Name                 |
|-----|----------------------|
| 1   | Julius VAIŠVILA,     |
| 2   | Lukas KYBARTAS,      |
| 3   | Nikita BOLZAN,       |
| 3   | Neimantas KUČINSKAS, |
| 5   | Skomantas PETRONIS,  |
| 5   | Enrikas BUDGINAS,    |
| 7   | Marks ANDRUŠČAKS,    |
| 7   | Arturs DROGINS,      |



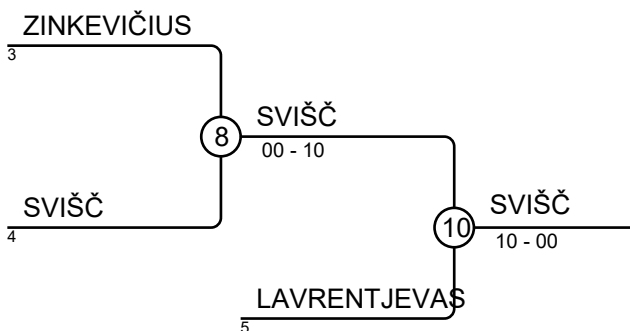
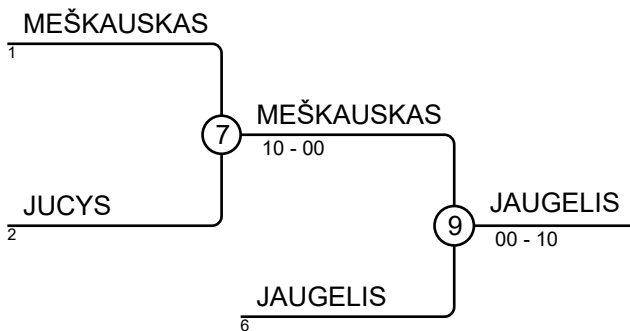
# Klaipeda BU14-66kg

Competitors: 8



## Results

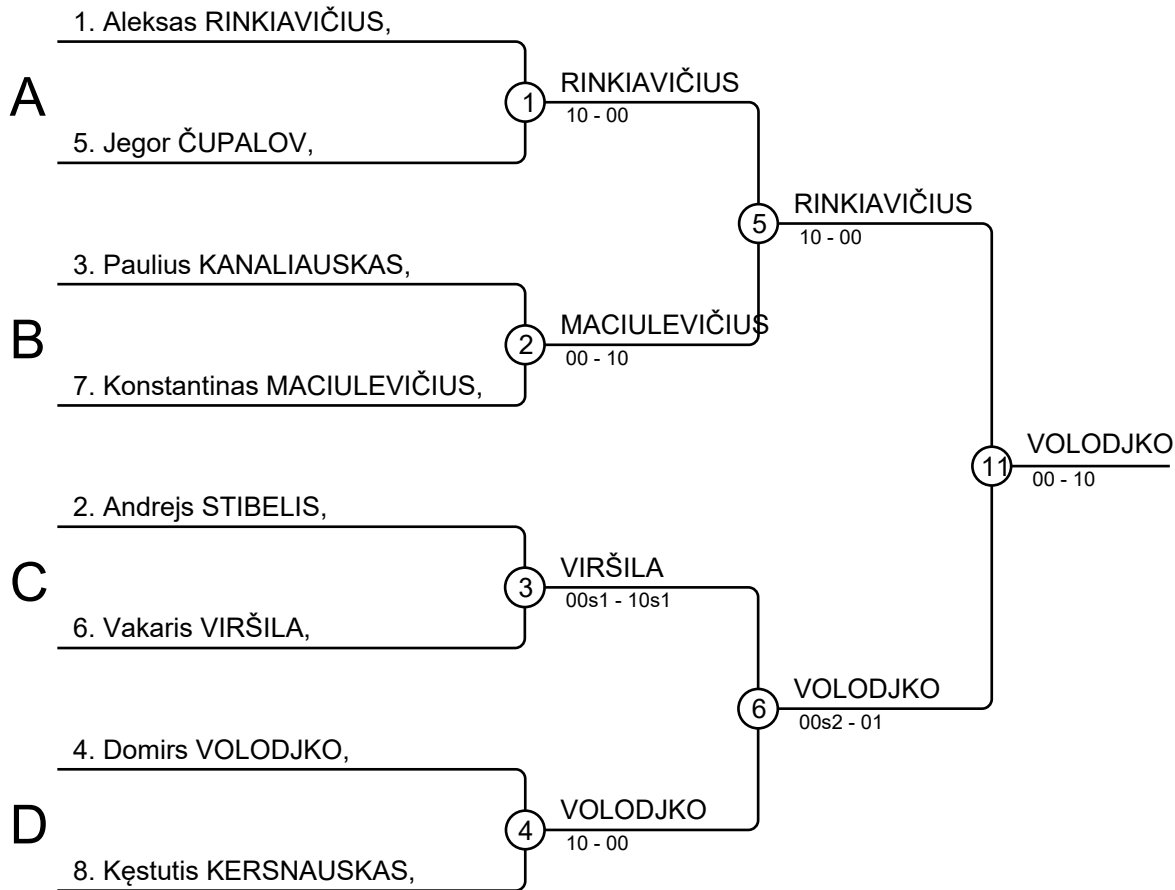
| Pos | Name                    |
|-----|-------------------------|
| 1   | Adas STEFANOVIČ,        |
| 2   | NOJUS LAUŽADIS,         |
| 3   | Matas JAUGELIS,         |
| 3   | Dominik SVIŠČ,          |
| 5   | Domas MEŠKAUSKAS,       |
| 5   | Dominykas LAVRENTJEVAS, |
| 7   | Mantas JUCYS,           |
| 7   | Mantas ZINKEVIČIUS,     |



# Klaipeda

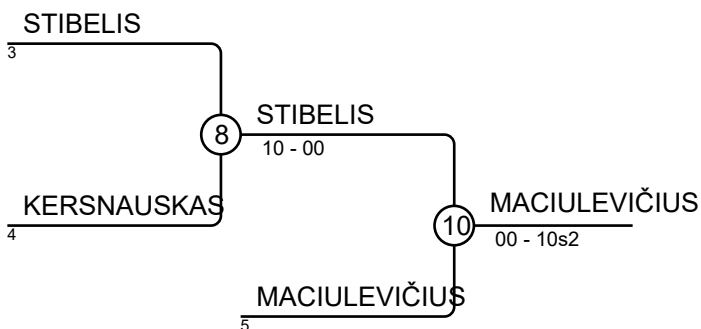
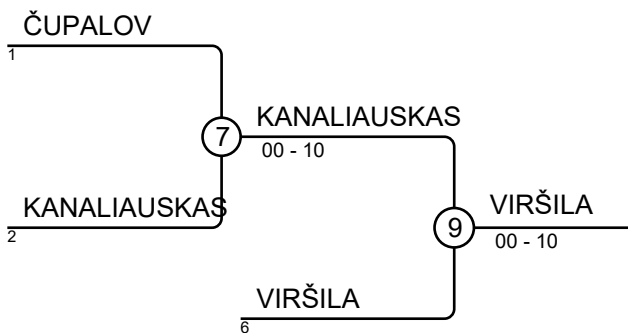
# BU14-73kg

Competitors: 8



## Results

| Pos | Name                        |
|-----|-----------------------------|
| 1   | Domirs VOLODJKO,            |
| 2   | Aleksas RINKIAVIČIUS,       |
| 3   | Vakarīs VIRŠILA,            |
| 3   | Konstantinas MACIULEVIČIUS, |
| 5   | Paulius KANALIAUSKAS,       |
| 5   | Andrejs STIBELIS,           |
| 7   | Jegor ČUPALOV,              |
| 7   | Kęstutis KERSNAUSKAS,       |



# Klaipeda BU14+73kg

## Competitors

Competitors: 4

| # | Name               | Grade | Club | 1  | 2  | 3  | 4 | Wins | Pts | Pos |
|---|--------------------|-------|------|----|----|----|---|------|-----|-----|
| 1 | Ugnius URNIKIS     | ?     |      |    | 10 | 10 |   | 2    | 20  | 2   |
| 2 | Rapolas KAMAITIS   | ?     |      |    |    | 10 |   | 1    | 10  | 3   |
| 3 | Mantas SUNGAILA    | ?     |      |    |    |    |   | 0    | 0   | 4   |
| 4 | Gytis VALENTUKONIS | ?     |      | 10 | 10 | 10 |   | 3    | 30  | 1   |

### Matches

| Match | White            | Grade | Blue               | Result | Time |
|-------|------------------|-------|--------------------|--------|------|
| 1     | Ugnius URNIKIS   | 1 2   | Rapolas KAMAITIS   | 10-01  | 0:44 |
| 2     | Mantas SUNGAILA  | 3 4   | Gytis VALENTUKONIS | 00-10  | 0:00 |
| 3     | Ugnius URNIKIS   | 1 3   | Mantas SUNGAILA    | 10-00  | 0:00 |
| 4     | Rapolas KAMAITIS | 2 4   | Gytis VALENTUKONIS | 00-10  | 0:45 |
| 5     | Ugnius URNIKIS   | 1 4   | Gytis VALENTUKONIS | 00-10  | 8:41 |
| 6     | Rapolas KAMAITIS | 2 3   | Mantas SUNGAILA    | 10-00  | 3:01 |

### Results

| Pos | Name                |
|-----|---------------------|
| 1   | Gytis VALENTUKONIS, |
| 2   | Ugnius URNIKIS,     |
| 3   | Rapolas KAMAITIS,   |
| 4   | Mantas SUNGAILA,    |

# Klaipeda MU15-28

## Competitors

Competitors: 5

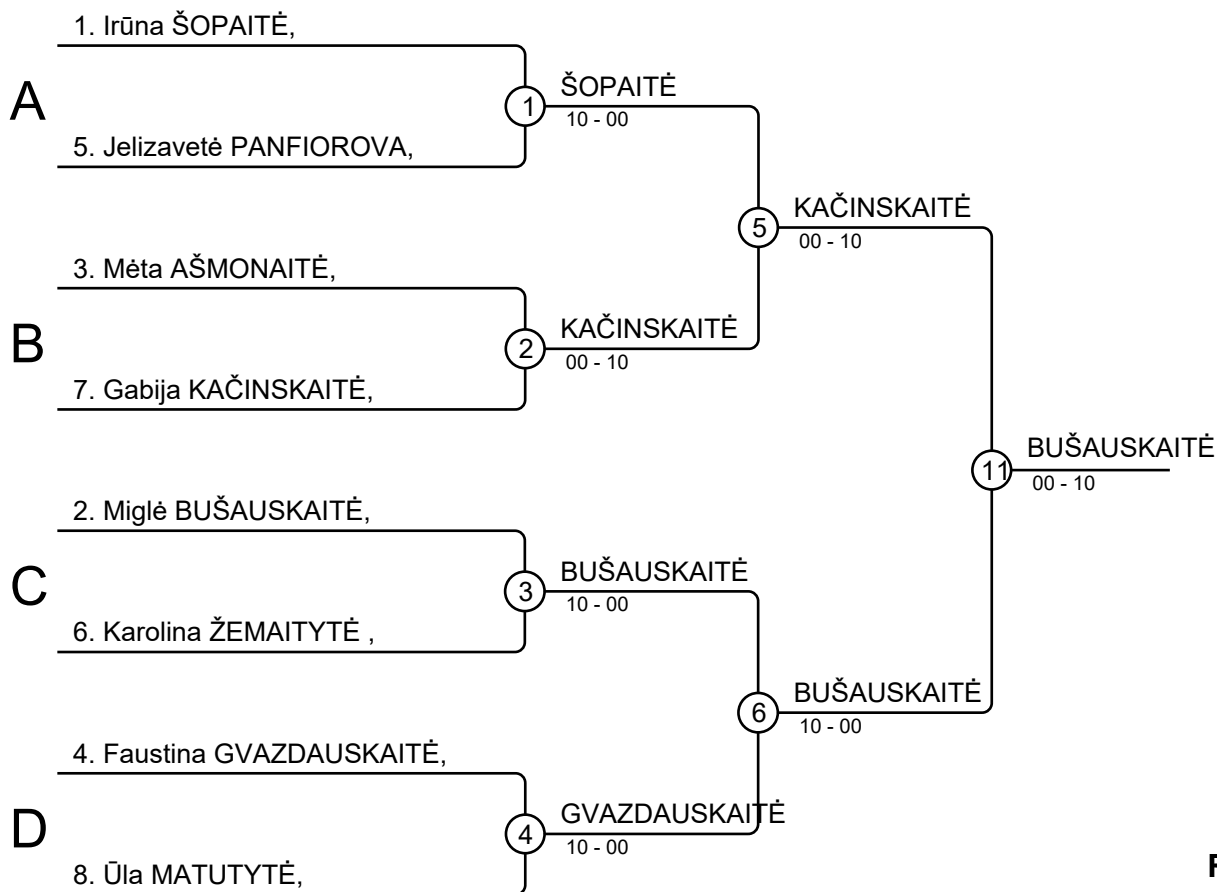
| # | Name                | Grade | Club | 1  | 2  | 3  | 4  | 5 | Wins | Pts | Pos |
|---|---------------------|-------|------|----|----|----|----|---|------|-----|-----|
| 1 | Gabija TUMAITĖ      | ?     |      |    |    | 10 | 10 |   | 2    | 20  | 3   |
| 2 | Meida KULIKAUSKAITĖ | ?     |      | 10 |    | 10 | 10 |   | 3    | 30  | 2   |
| 3 | Juta ŠVOBAITĖ       | ?     |      |    |    |    |    |   | 0    | 0   | 5   |
| 4 | Skaistė ANTANOVA    | ?     |      |    |    | 10 |    |   | 1    | 10  | 4   |
| 5 | Rusnė CIBULSKAITĖ   | ?     |      | 10 | 10 | 10 | 10 |   | 4    | 40  | 1   |

### Matches

| Match | White               | White | Blue | Blue                | Result | Time |
|-------|---------------------|-------|------|---------------------|--------|------|
| 1     | Skaistė ANTANOVA    | 4     | 5    | Rusnė CIBULSKAITĖ   | 00-11  | 1:06 |
| 2     | Gabija TUMAITĖ      | 1     | 2    | Meida KULIKAUSKAITĖ | 00-10  | 0:54 |
| 3     | Juta ŠVOBAITĖ       | 3     | 4    | Skaistė ANTANOVA    | 00-10  | 0:09 |
| 4     | Gabija TUMAITĖ      | 1     | 5    | Rusnė CIBULSKAITĖ   | 00-10  | 0:05 |
| 5     | Meida KULIKAUSKAITĖ | 2     | 3    | Juta ŠVOBAITĖ       | 10-00  | 0:04 |
| 6     | Gabija TUMAITĖ      | 1     | 4    | Skaistė ANTANOVA    | 10-00  | 1:09 |
| 7     | Juta ŠVOBAITĖ       | 3     | 5    | Rusnė CIBULSKAITĖ   | 00-10  | 0:10 |
| 8     | Meida KULIKAUSKAITĖ | 2     | 4    | Skaistė ANTANOVA    | 10-00  | 0:09 |
| 9     | Gabija TUMAITĖ      | 1     | 3    | Juta ŠVOBAITĖ       | 10-00  | 0:06 |
| 10    | Meida KULIKAUSKAITĖ | 2     | 5    | Rusnė CIBULSKAITĖ   | 00-10  | 0:33 |

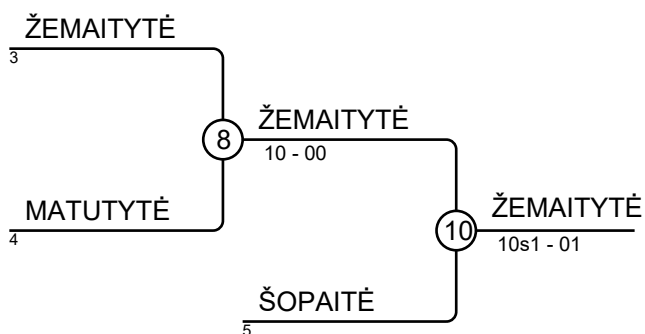
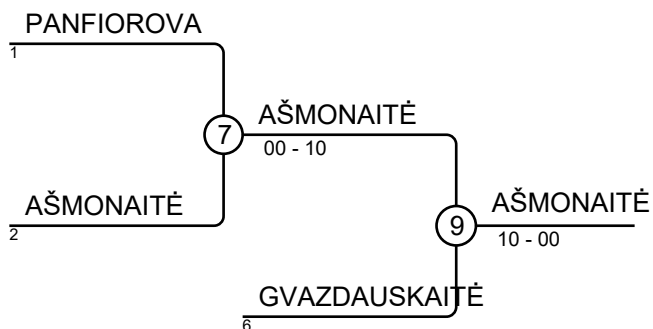
### Results

| Pos | Name                 |
|-----|----------------------|
| 1   | Rusnė CIBULSKAITĖ,   |
| 2   | Meida KULIKAUSKAITĖ, |
| 3   | Gabija TUMAITĖ,      |
| 4   | Skaistė ANTANOVA,    |
| 5   | Juta ŠVOBAITĖ,       |



## Results

| Pos | Name                    |
|-----|-------------------------|
| 1   | Miglė BUŠAUSKAITĖ,      |
| 2   | Gabija KAČINSKAITĖ,     |
| 3   | Mėta AŠMONAITĖ,         |
| 3   | Karolina ŽEMAITYTĖ ,    |
| 5   | Faustina GVAZDAUSKAITĖ, |
| 5   | Irūna ŠOPAITĖ,          |
| 7   | Jelizavetė PANFIOROVA,  |
| 7   | Ūla MATUTYTĖ,           |



# Klaipeda MU15-36

## Competitors

Competitors: 5

| # | Name                    | Grade | Club | 1 | 2  | 3  | 4  | 5  | Wins | Pts | Pos |
|---|-------------------------|-------|------|---|----|----|----|----|------|-----|-----|
| 1 | Vytautė EINIKAITĖ       | ?     |      |   | 10 | 10 | 10 | 10 | 4    | 40  | 1   |
| 2 | Jekaterina JARCEVA      | ?     |      |   |    | 10 |    | 10 | 2    | 20  | 3   |
| 3 | Auresta MARTINKEVIČIUTĖ | ?     |      |   |    |    | 10 |    | 1    | 10  | 5   |
| 4 | Dominyka MICHMEL        | ?     |      |   | 10 |    |    | 10 | 2    | 20  | 2   |
| 5 | Elija BAGDONAVIČIUTĖ    | ?     |      |   |    | 10 |    |    | 1    | 10  | 4   |

### Matches

| Match | White                   | White | Blue | Blue                    | Result  | Time |
|-------|-------------------------|-------|------|-------------------------|---------|------|
| 1     | Dominyka MICHMEL        | 4     | 5    | Elija BAGDONAVIČIUTĖ    | 10-00   | 0:11 |
| 2     | Vytautė EINIKAITĖ       | 1     | 2    | Jekaterina JARCEVA      | 10s1-00 | 0:38 |
| 3     | Auresta MARTINKEVIČIUTĖ | 3     | 4    | Dominyka MICHMEL        | 10-01s1 | 0:44 |
| 4     | Vytautė EINIKAITĖ       | 1     | 5    | Elija BAGDONAVIČIUTĖ    | 10-00   | 0:10 |
| 5     | Jekaterina JARCEVA      | 2     | 3    | Auresta MARTINKEVIČIUTĖ | 11s1-01 | 1:37 |
| 6     | Vytautė EINIKAITĖ       | 1     | 4    | Dominyka MICHMEL        | 10-00   | 0:09 |
| 7     | Auresta MARTINKEVIČIUTĖ | 3     | 5    | Elija BAGDONAVIČIUTĖ    | 00-10   | 1:52 |
| 8     | Jekaterina JARCEVA      | 2     | 4    | Dominyka MICHMEL        | 00-10   | 0:18 |
| 9     | Vytautė EINIKAITĖ       | 1     | 3    | Auresta MARTINKEVIČIUTĖ | 10-00   | 0:01 |
| 10    | Jekaterina JARCEVA      | 2     | 5    | Elija BAGDONAVIČIUTĖ    | 10-00   | 0:09 |

### Results

| Pos | Name                     |
|-----|--------------------------|
| 1   | Vytautė EINIKAITĖ,       |
| 2   | Dominyka MICHMEL,        |
| 3   | Jekaterina JARCEVA,      |
| 4   | Elija BAGDONAVIČIUTĖ,    |
| 5   | Auresta MARTINKEVIČIUTĖ, |

# Klaipeda MU15-40

## Competitors

Competitors: 5

| # | Name                 | Grade | Club | 1 | 2  | 3  | 4 | 5  | Wins | Pts | Pos |
|---|----------------------|-------|------|---|----|----|---|----|------|-----|-----|
| 1 | Viktorija ZARUBA     | ?     |      |   | 10 | 10 | 1 | 10 | 4    | 31  | 1   |
| 2 | Rugilė PUIŠYTĖ       | ?     |      |   |    | 10 |   |    | 1    | 10  | 4   |
| 3 | Auksė DRAGUNAIĖ      | ?     |      |   |    |    |   |    | 0    | 0   | 5   |
| 4 | Lėja KULIKAUSKAITĖ   | ?     |      |   | 10 | 10 |   | 10 | 3    | 30  | 2   |
| 5 | Kamilė TAMAŠAUSKAITĖ | ?     |      |   | 1  | 10 |   |    | 2    | 11  | 3   |

### Matches

| Match | White              |   | Blue |                      | Result  | Time |
|-------|--------------------|---|------|----------------------|---------|------|
| 1     | Lėja KULIKAUSKAITĖ | 4 | 5    | Kamilė TAMAŠAUSKAITĖ | 10-00   | 0:05 |
| 2     | Viktorija ZARUBA   | 1 | 2    | Rugilė PUIŠYTĖ       | 10s1-00 | 1:00 |
| 3     | Auksė DRAGUNAIĖ    | 3 | 4    | Lėja KULIKAUSKAITĖ   | 00-10   | 0:02 |
| 4     | Viktorija ZARUBA   | 1 | 5    | Kamilė TAMAŠAUSKAITĖ | 10-00   | 0:40 |
| 5     | Rugilė PUIŠYTĖ     | 2 | 3    | Auksė DRAGUNAIĖ      | 10-00   | 0:00 |
| 6     | Viktorija ZARUBA   | 1 | 4    | Lėja KULIKAUSKAITĖ   | 01-00   | 2:00 |
| 7     | Auksė DRAGUNAIĖ    | 3 | 5    | Kamilė TAMAŠAUSKAITĖ | 00-10   | 0:03 |
| 8     | Rugilė PUIŠYTĖ     | 2 | 4    | Lėja KULIKAUSKAITĖ   | 00-10   | 0:11 |
| 9     | Viktorija ZARUBA   | 1 | 3    | Auksė DRAGUNAIĖ      | 10-00   | 0:00 |
| 10    | Rugilė PUIŠYTĖ     | 2 | 5    | Kamilė TAMAŠAUSKAITĖ | 00s1-01 | 0:16 |

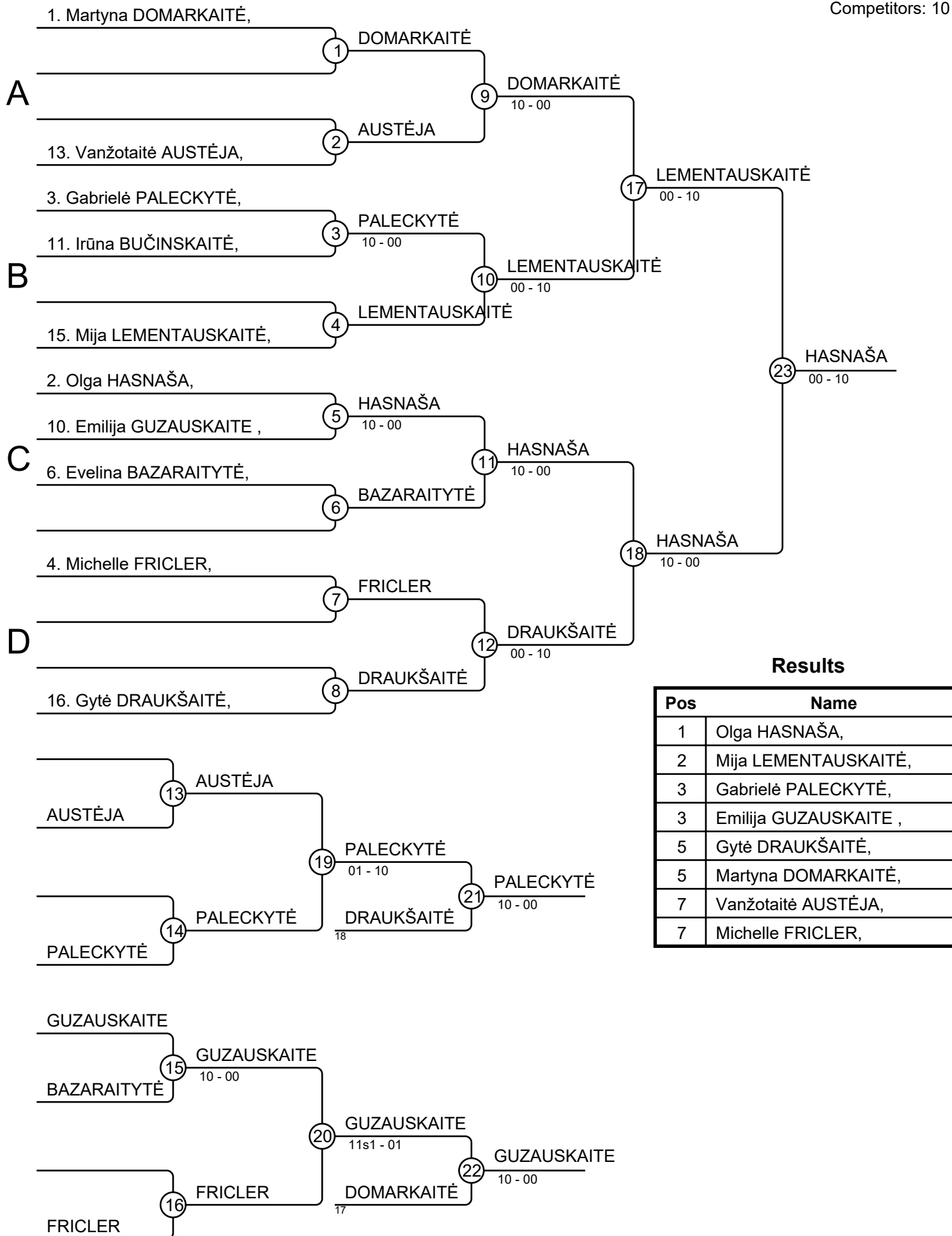
### Results

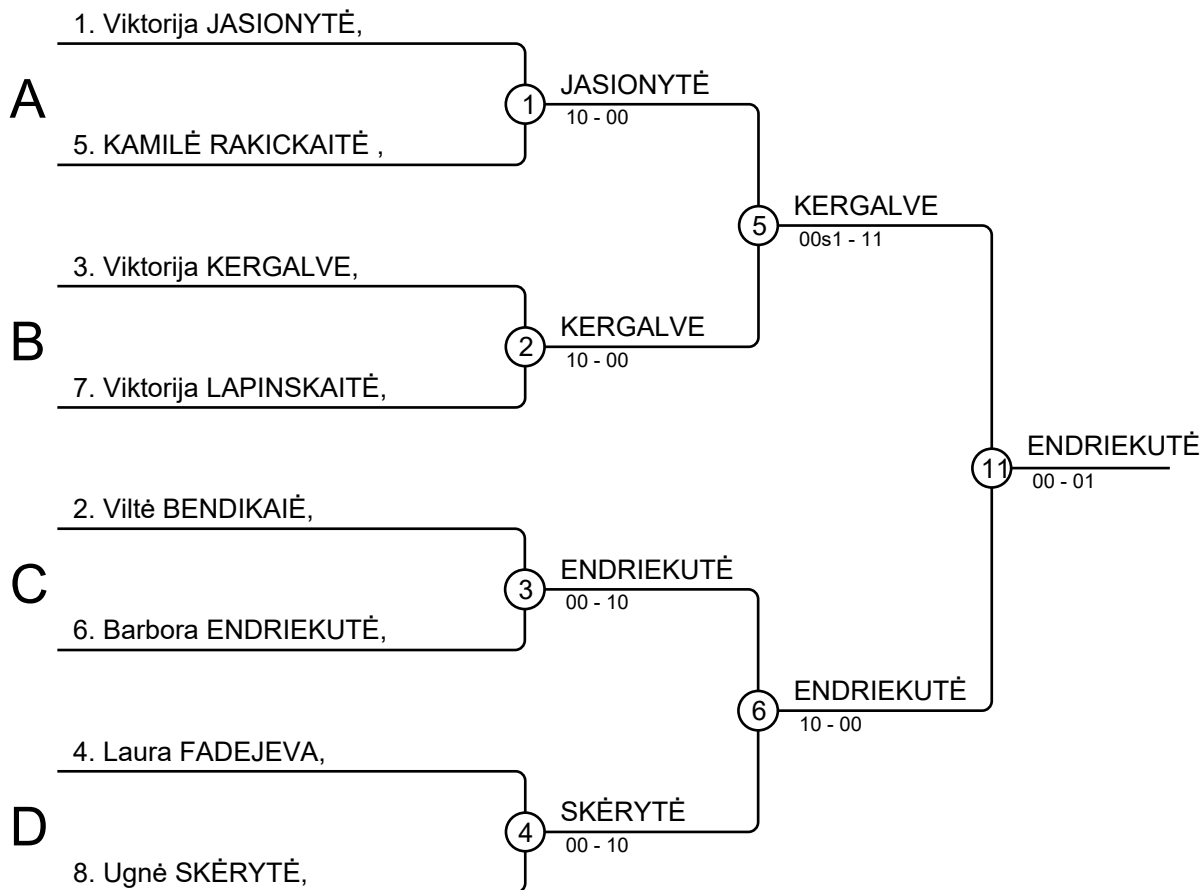
| Pos | Name                  |
|-----|-----------------------|
| 1   | Viktorija ZARUBA,     |
| 2   | Lėja KULIKAUSKAITĖ,   |
| 3   | Kamilė TAMAŠAUSKAITĖ, |
| 4   | Rugilė PUIŠYTĖ,       |
| 5   | Auksė DRAGUNAIĖ,      |



# Klaipeda MU15-44

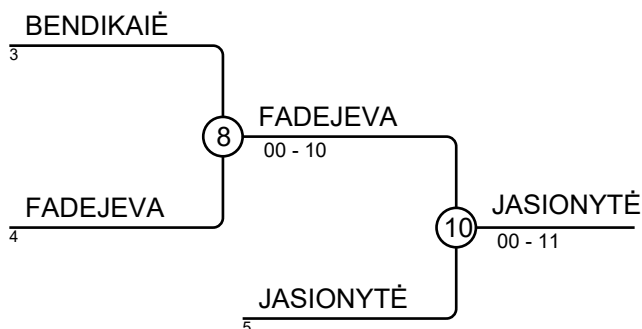
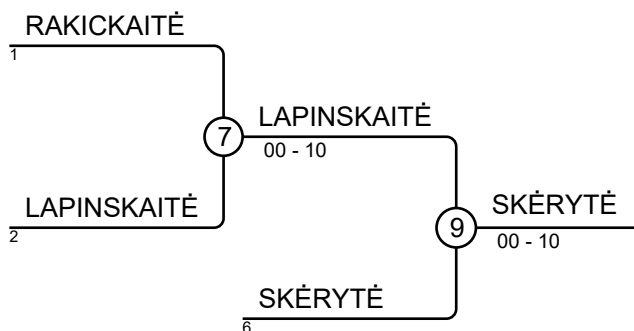
Competitors: 10





## Results

| Pos | Name                   |
|-----|------------------------|
| 1   | Barbora ENDRIEKUTĖ,    |
| 2   | Viktorija KERGalVE,    |
| 3   | Ugnė SKĖRYTĖ,          |
| 3   | Viktorija JASIONYTĖ,   |
| 5   | Viktorija LAPINSKAITĖ, |
| 5   | Laura FADEJEVA,        |
| 7   | KAMILĖ RAKICKAITĖ ,    |
| 7   | Viltė BENDIKAIĖ,       |



# Klaipeda MU15-52

## Competitors

Competitors: 3

| # | Name               | Grade | Club | 1 | 2  | 3  | Wins | Pts | Pos |
|---|--------------------|-------|------|---|----|----|------|-----|-----|
| 1 | Giedrė KAULIUTĖ    | ?     |      |   | 10 | 10 | 2    | 20  | 1   |
| 2 | Samanta SAMSONAITĖ | ?     |      |   |    | 10 | 1    | 10  | 2   |
| 3 | Simona NORVILĖ     | ?     |      |   |    |    | 0    | 0   | 3   |

### Matches

| Match | White              |   |   | Blue               | Result | Time |
|-------|--------------------|---|---|--------------------|--------|------|
| 1     | Giedrė KAULIUTĖ    | 1 | 2 | Samanta SAMSONAITĖ | 10-00  | 1:27 |
| 2     | Giedrė KAULIUTĖ    | 1 | 3 | Simona NORVILĖ     | 11-00  | 0:41 |
| 3     | Samanta SAMSONAITĖ | 2 | 3 | Simona NORVILĖ     | 10-00  | 0:37 |

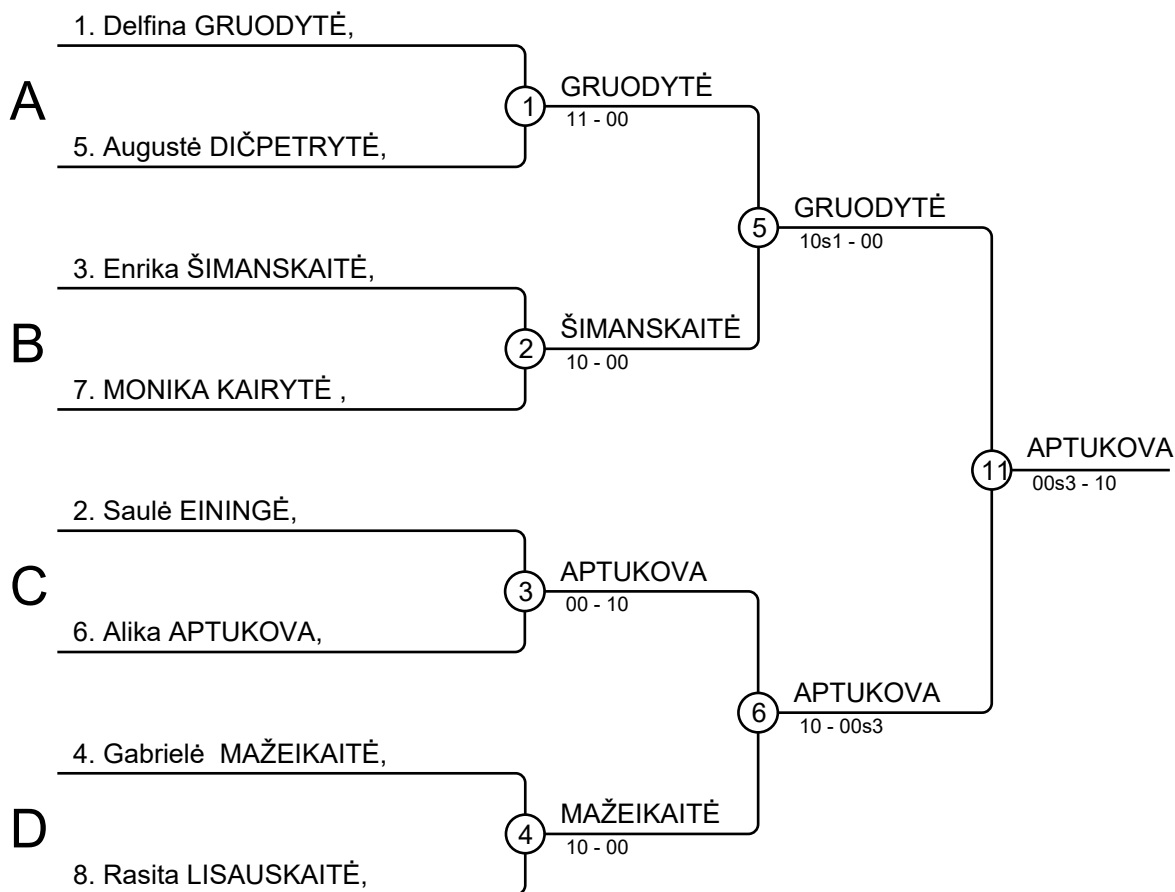
### Results

| Pos | Name                |
|-----|---------------------|
| 1   | Giedrė KAULIUTĖ,    |
| 2   | Samanta SAMSONAITĖ, |
| 3   | Simona NORVILĖ,     |

# Klaipeda

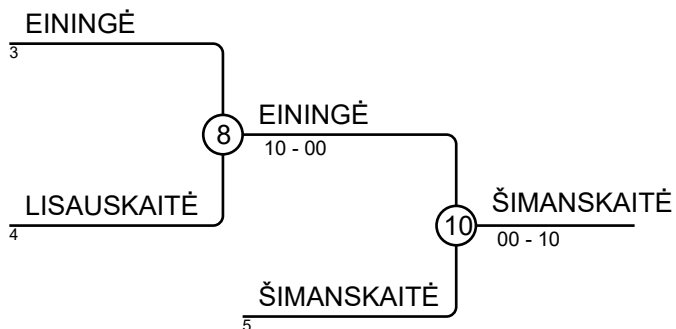
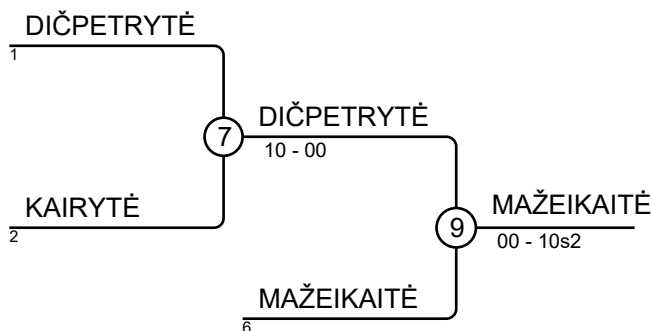
# MU15-57

Competitors: 8



## Results

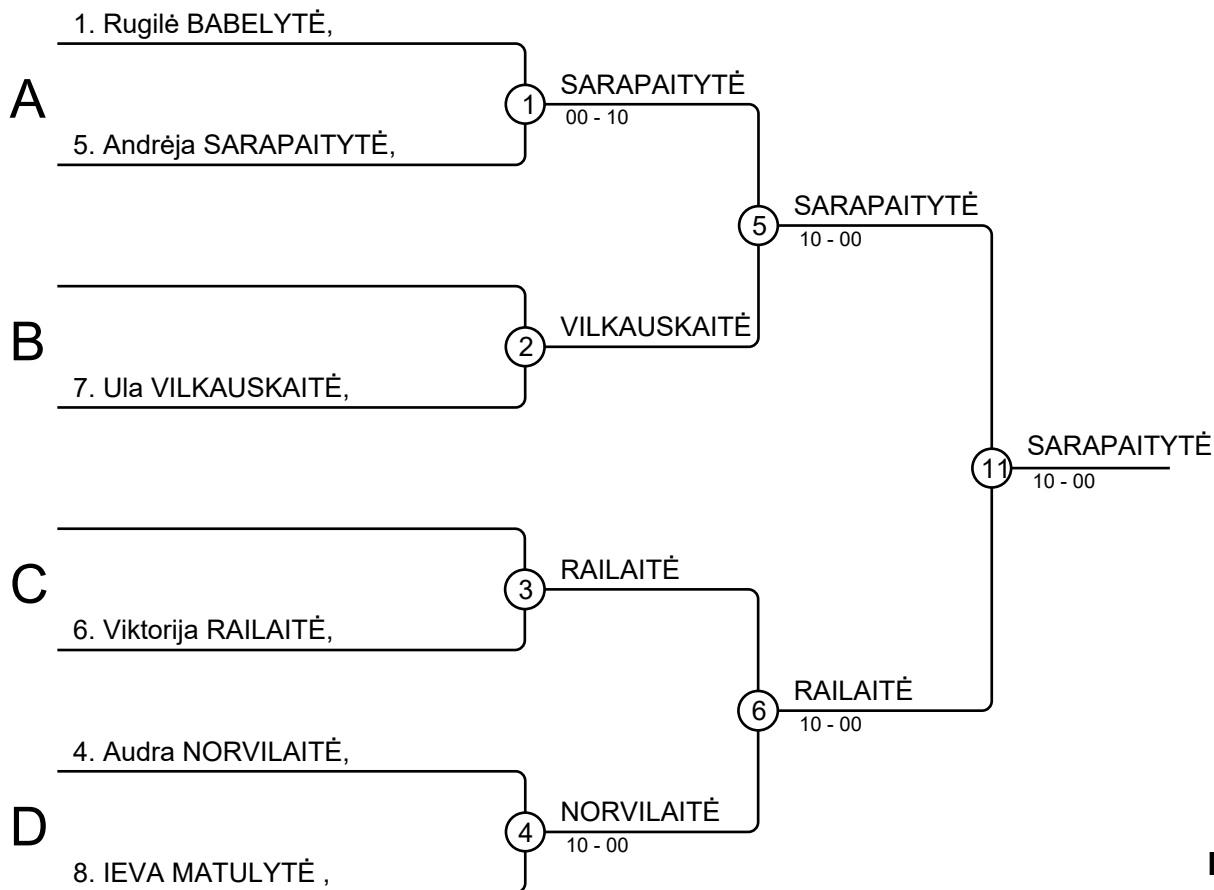
| Pos | Name                 |
|-----|----------------------|
| 1   | Aliką APTUKOVA,      |
| 2   | Delfina GRUODYTĖ,    |
| 3   | Gabrielė MAŽEIKAITĖ, |
| 3   | Enrika ŠIMANSKAITĖ,  |
| 5   | Augustė DIČPETRYTĖ,  |
| 5   | Saulė EININGĖ,       |
| 7   | MONIKA KAIRYTĖ ,     |
| 7   | Rasita LISAUSKAITĖ,  |



# Klaipeda

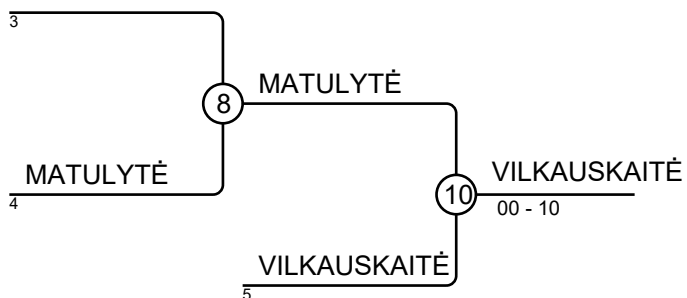
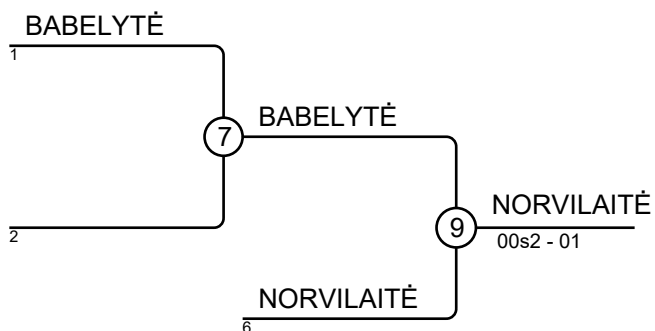
# MU15-70

Competitors: 6



## Results

| Pos | Name                 |
|-----|----------------------|
| 1   | Andrėja SARAPAITYTĖ, |
| 2   | Viktorija RAILAITĖ,  |
| 3   | Audra NORVILAITĖ,    |
| 3   | Ula VILKAUSKAITĖ,    |
| 5   | Rugilė BABELYTĖ,     |
| 5   | IEVA MATULYTĖ ,      |
| 7   |                      |
| 7   |                      |



# Klaipeda MU15+70

## Competitors

Competitors: 4

| # | Name               | Grade | Club | 1  | 2  | 3  | 4 | Wins | Pts | Pos |
|---|--------------------|-------|------|----|----|----|---|------|-----|-----|
| 1 | Erika GRIGELAITYTĖ | ?     |      |    | 10 |    |   | 1    | 10  | 3   |
| 2 | Andrėja GIRDŽIŪTĖ  | ?     |      |    |    |    |   | 0    | 0   | 4   |
| 3 | Rugilė STASIULYTĖ  | ?     |      | 10 | 10 |    |   | 2    | 20  | 2   |
| 4 | Laura LINKUTĖ      | ?     |      | 10 | 10 | 10 |   | 3    | 30  | 1   |

### Matches

| Match | White              | Grade | Blue              | Result    | Time |
|-------|--------------------|-------|-------------------|-----------|------|
| 1     | Erika GRIGELAITYTĖ | 1 2   | Andrėja GIRDŽIŪTĖ | 10-00     | 0:12 |
| 2     | Rugilė STASIULYTĖ  | 3 4   | Laura LINKUTĖ     | 00s2-10s2 | 3:05 |
| 3     | Erika GRIGELAITYTĖ | 1 3   | Rugilė STASIULYTĖ | 01s1-11   | 1:45 |
| 4     | Andrėja GIRDŽIŪTĖ  | 2 4   | Laura LINKUTĖ     | 00s1-10   | 0:15 |
| 5     | Erika GRIGELAITYTĖ | 1 4   | Laura LINKUTĖ     | 00-10     | 0:04 |
| 6     | Andrėja GIRDŽIŪTĖ  | 2 3   | Rugilė STASIULYTĖ | 00-10     | 0:23 |

### Results

| Pos | Name                |
|-----|---------------------|
| 1   | Laura LINKUTĖ,      |
| 2   | Rugilė STASIULYTĖ,  |
| 3   | Erika GRIGELAITYTĖ, |
| 4   | Andrėja GIRDŽIŪTĖ,  |

# Klaipeda MU19-60kg

## Competitors

Competitors: 4

| # | Name                   | Grade | Club | 1  | 2 | 3  | 4  | Wins | Pts | Pos |
|---|------------------------|-------|------|----|---|----|----|------|-----|-----|
| 1 | Simona ANTANOVA        | ?     |      |    |   |    |    | 0    | 0   | 4   |
| 2 | Gabrielė GABRIELAITYTĖ | ?     |      | 10 |   | 10 | 10 | 3    | 30  | 1   |
| 3 | Samanta BARZDAITYTĖ    | ?     |      | 10 |   |    | 10 | 2    | 20  | 2   |
| 4 | GABIJA GECAITE         | ?     |      | 10 |   |    |    | 1    | 10  | 3   |

### Matches

| Match | White                  | Grade | Blue                   | Result  | Time |
|-------|------------------------|-------|------------------------|---------|------|
| 1     | Simona ANTANOVA        | 1 2   | Gabrielė GABRIELAITYTĖ | 00s3-10 | 6:23 |
| 2     | Samanta BARZDAITYTĖ    | 3 4   | GABIJA GECAITE         | 10-00   | 2:00 |
| 3     | Simona ANTANOVA        | 1 3   | Samanta BARZDAITYTĖ    | 01-10   | 3:00 |
| 4     | Gabrielė GABRIELAITYTĖ | 2 4   | GABIJA GECAITE         | 10-00   | 0:53 |
| 5     | Simona ANTANOVA        | 1 4   | GABIJA GECAITE         | 00-10   | 0:07 |
| 6     | Gabrielė GABRIELAITYTĖ | 2 3   | Samanta BARZDAITYTĖ    | 10-00s1 | 1:13 |

### Results

| Pos | Name                     |
|-----|--------------------------|
| 1   | Gabrielė GABRIELAITYTĖ , |
| 2   | Samanta BARZDAITYTĖ,     |
| 3   | GABIJA GECAITE ,         |
| 4   | Simona ANTANOVA,         |

# Klaipeda MU19-78kg

## Competitors

Competitors: 2

| # | Name                  | Grade | Club | 1  | 2 | 1  | 2 | 1 | 2 | Wins | Pts | Pos |
|---|-----------------------|-------|------|----|---|----|---|---|---|------|-----|-----|
| 1 | Laura UBONAITĖ        | ?     |      |    |   |    |   |   |   | 0    | 0   | 2   |
| 2 | Rugilė NENARTAVIČIŪTĖ | ?     |      | 10 |   | 10 |   |   |   | 2    | 20  | 1   |

### Matches

| Match | White          | Grade | Blue                  | Result | Time |
|-------|----------------|-------|-----------------------|--------|------|
| 1     | Laura UBONAITĖ | 1 2   | Rugilė NENARTAVIČIŪTĖ | 00-10  | 1:40 |
| 2     | Laura UBONAITĖ | 1 2   | Rugilė NENARTAVIČIŪTĖ | 00-10  | 1:59 |
| 3     | Laura UBONAITĖ | 1 2   | Rugilė NENARTAVIČIŪTĖ |        |      |

### Results

| Pos | Name                   |
|-----|------------------------|
| 1   | Rugilė NENARTAVIČIŪTĖ, |
| 2   | Laura UBONAITĖ,        |